

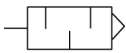


## AN05 to 40, Silencer, Compact Resin Type, Male Thread AN20-02

Datasheet

### General series information

- Space saving.
- Noise reduction improved: 30 dB(A).
- M thread, R (NPT) thread type.

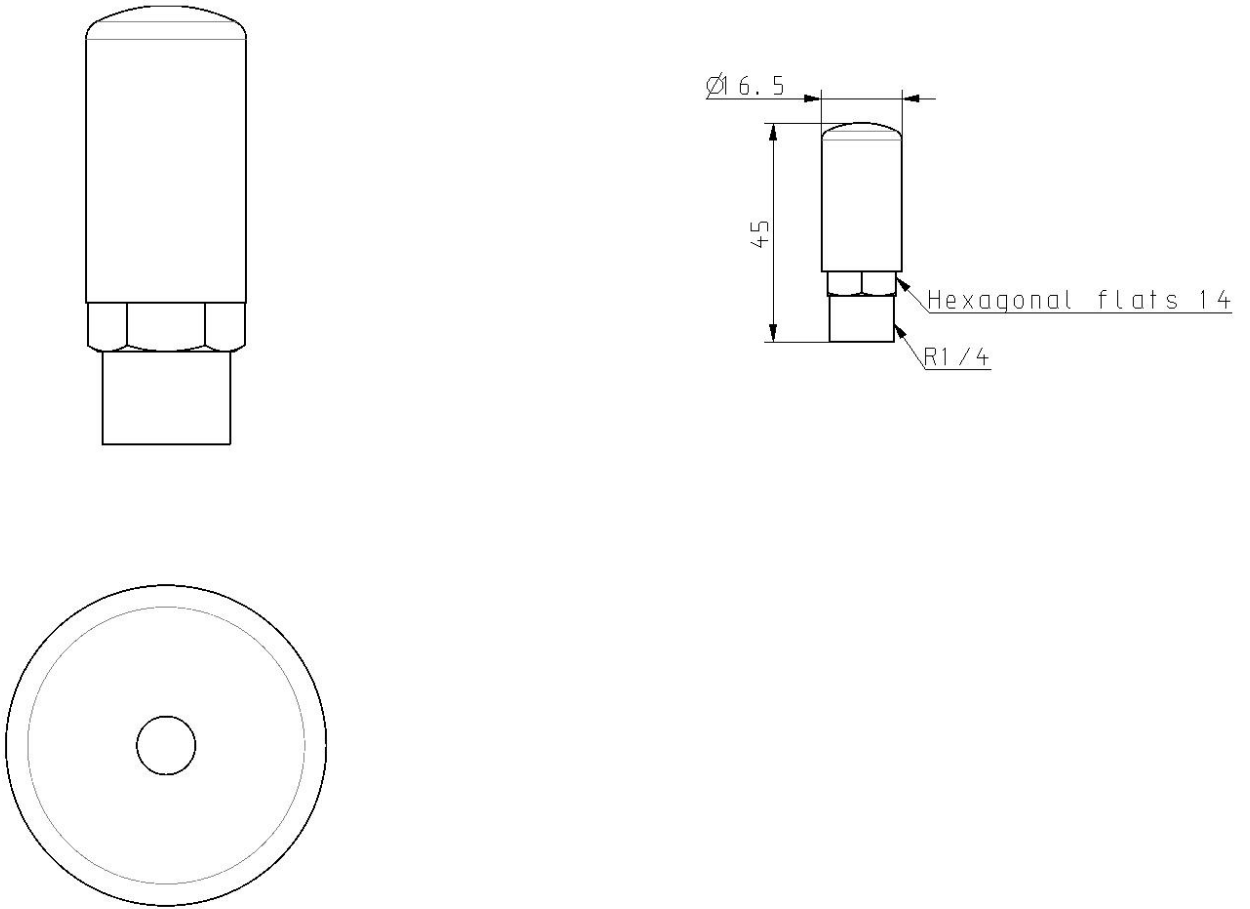


*Silencer*

### Standard specifications

Body Size	20
Thread Type	Rc or Metric
Thread Connection Port Size	02 (1/4)
Pressure medium	Compressed Air
Maximum ambient temperature	60 °C
Maximum ambient temperature with magnet	5 °C
Noise reduction	30 dB
Effective Area	35 mm
Weight	0.004 Kg

## Dimensions



## Additional information

Catalogue

[AN-A\\_EU.pdf](#)