

Elbow - AS*2*1FS AS1201FS-M5-04

Datasheet

General series information

- Port Size: M5, 10-32 UNF, 1/8, 1/4, 3/8, 1/2
- Applicable Tubing O.D.: Ø 2 to Ø 16 mm and Ø 1/8" to Ø 1/2"
- Operating Pressure Range: 0.1 to 1 MPa.

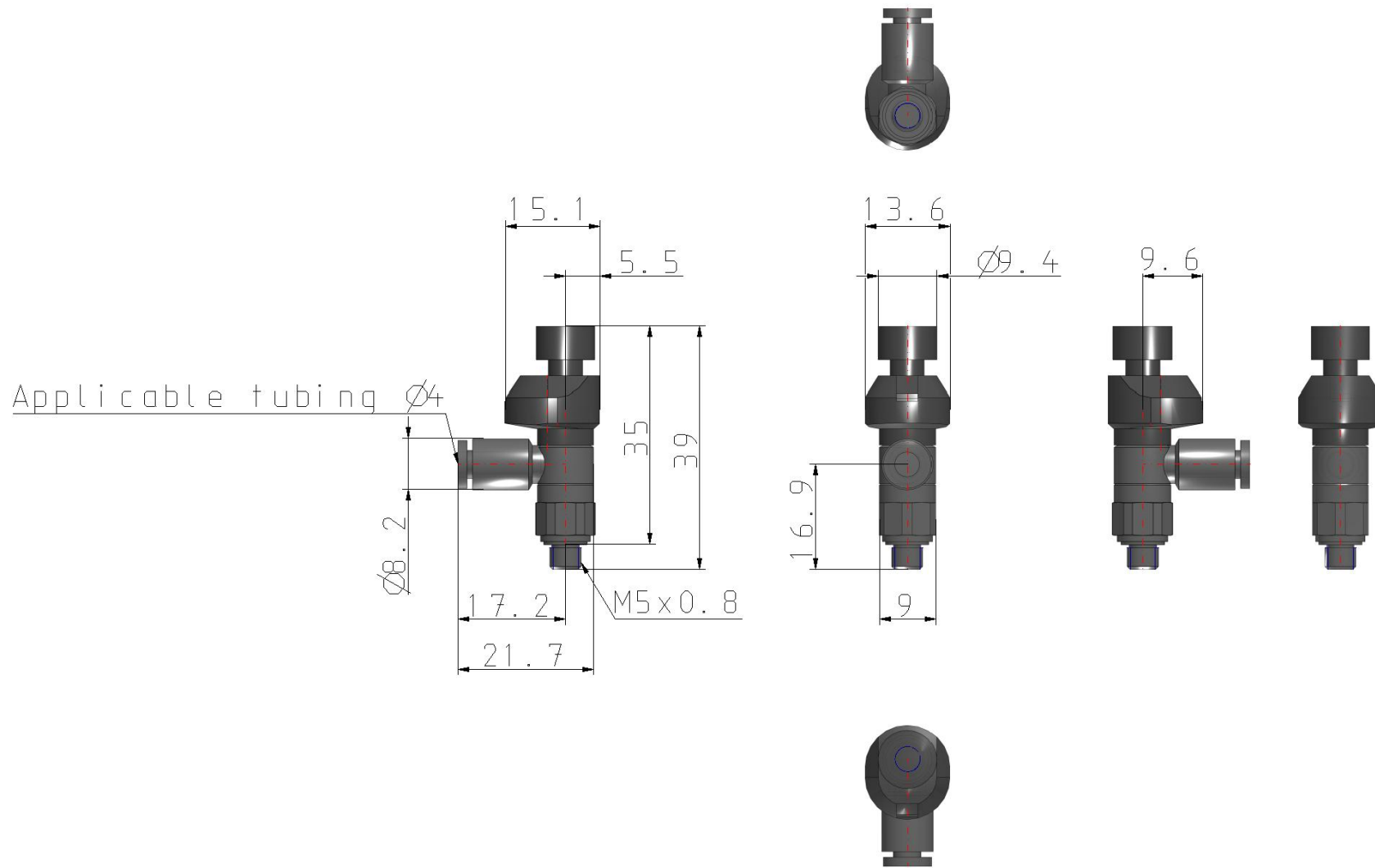


Flow control valve, adjustable, with reverse free flow

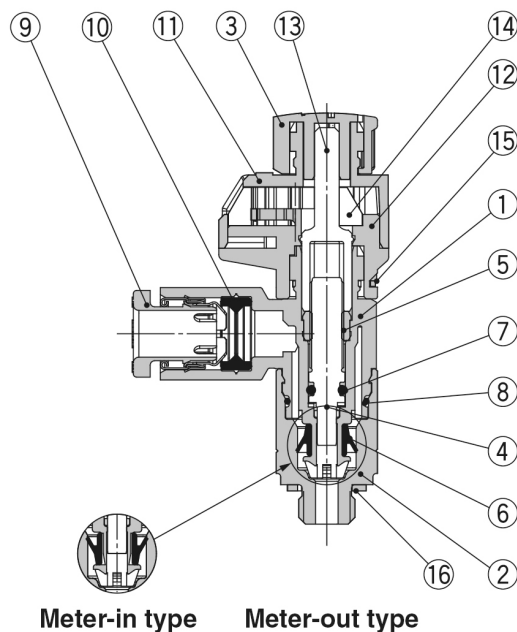
Standard specifications

| | |
|-----------------------------|---------------------------------|
| Clean Series | None |
| Body Size | 1 (M5 x 0.8, 10-32UNF) |
| Type | 2 (Elbow) |
| Control Type | 0 (Meter-out) |
| Indicator Direction | 0° |
| Thread | R (or None) |
| Port Size | M5 (M5 x 0.8) |
| Width Across Flats | 9 mm (or None: Sizes 2/3/4) |
| Tubing | 04 (ø4) |
| Seal | w/o Sealant |
| Made to Order | None |
| Pressure medium | Air |
| Maximum operating pressure | 1 MPa |
| Minimum operating pressure | 0.1 MPa |
| Proof pressure | 1.5 MPa |
| Maximum ambient temperature | 60 °C |
| Minimum ambient temperature | -5 °C |
| Applicable tubing material | Nylon, Soft nylon, Polyurethane |
| Weight | 0.007 Kg |

Dimensions



Constructions



Component Parts

| No. | Description | Material | Note |
|-----|----------------|---------------------|----------------------------|
| 1 | Body A | PBT | |
| 2 | Body B | Brass | Electroless nickel plating |
| 3 | Knob | POM | |
| 4 | Needle | PBT | |
| 5 | Needle guide | Brass | Electroless nickel plating |
| 6 | U-seal | HNBR | |
| 7 | O-ring | NBR | |
| 8 | O-ring | NBR | |
| 9 | Cassette | — | |
| 10 | Seal | NBR | |
| 11 | Bonnet A | POM | |
| 12 | Bonnet B | POM | |
| 13 | Gear | POM | |
| 14 | Indicator gear | POM | |
| 15 | Clip | Stainless steel | |
| 16 | Gasket | NBR/Stainless steel | |
| 17 | Seal | NBR | |

Additional information

Catalogue

[AS-FS-D_EU.pdf](#)