

## Compact - MHZA2 MHZA2-6S

### Datasheet

### General series information

- Maximum gripping force per finger 6.1 N at 0.5 MPa
- Double acting and single acting
- Repeatability:  $\pm 0.01$  mm
- Max. operating frequency: 120 c.p.m.



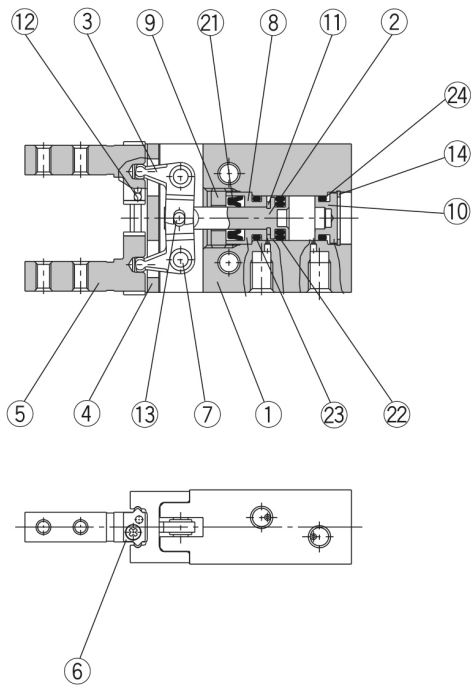
*Gripper, normally open, single-acting with permanent magnet on piston*

### Standard specifications

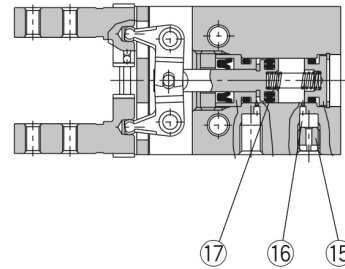
|  |                          |
|--|--------------------------|
| Action   | S (Single Acting (N.O.)) |
| Finger Option  | Basic Style              |
| Body Option  | Basic Style              |
| Maximum operating pressure                             | 0.7 MPa                  |
| Minimum operating pressure                             | 0.3 MPa                  |
| Maximum ambient temperature                            | 60 °C                    |
| Minimum ambient temperature                            | -10 °C                   |
| Repeatability  | $\pm 0.01$ mm            |
| Weight   | 26 g                     |
| Lubrication  | Non-lube                 |
| Effective holding force per finger, external (0.5 MPa) | 1.9 N                    |
| Fluid  | Air                      |
| Max. operating frequency                               | 180 c.p.m.               |
| Stroke per gripper jaw                                 | 4 mm                     |
| Weight   | 0.030 Kg                 |

## Constructions

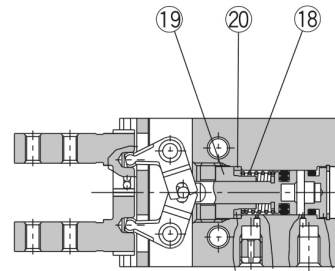
### Double acting/with fingers open



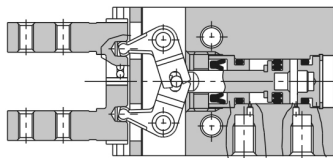
### Single acting/normally open



### Single acting/normally closed



### Double acting/with fingers closed



#### Parts list

| No. | Description           | Material                           | Note                      |
|-----|-----------------------|------------------------------------|---------------------------|
| 1   | <b>Body</b>           | Aluminum alloy                     | Hard anodized             |
| 2   | <b>Piston</b>         | Stainless steel                    |                           |
| 3   | <b>Lever</b>          | Stainless steel                    | Heat treated              |
| 4   | <b>Guide</b>          | Stainless steel                    | Heat treated              |
| 5   | <b>Finger</b>         | Stainless steel                    | Heat treated              |
| 6   | <b>Roller stopper</b> | Stainless steel                    |                           |
| 7   | <b>Lever shaft</b>    | Stainless steel                    | Nitrided                  |
| 8   | <b>Holder</b>         | Brass                              | Electroless nickel plated |
| 9   | <b>Holder lock</b>    | Stainless steel                    |                           |
| 10  | <b>Cap</b>            | Aluminum alloy                     | Clear anodized            |
| 11  | <b>Bumper</b>         | Urethane rubber                    |                           |
| 12  | <b>Steel balls</b>    | High carbon chromium bearing steel |                           |
| 13  | <b>Needle roller</b>  | High carbon chromium bearing steel |                           |

#### Parts list

| No. | Description             | Material                    | Note                      |
|-----|-------------------------|-----------------------------|---------------------------|
| 14  | <b>C type snap ring</b> | Carbon steel                | Nickel plated             |
| 15  | <b>Exhaust plug</b>     | Brass                       | Electroless nickel plated |
| 16  | <b>Exhaust filter</b>   | Polyvinyl formal            |                           |
| 17  | <b>N.O. spring</b>      | Stainless steel spring wire |                           |
| 18  | <b>N.C. spring</b>      | Stainless steel spring wire |                           |
| 19  | <b>N.C. holder</b>      | Brass                       | Electroless nickel plated |
| 20  | <b>N.C. spacer</b>      | Stainless steel             |                           |
| 21  | <b>Rod seal</b>         | NBR                         |                           |
| 22  | <b>Piston seal</b>      | NBR                         |                           |
| 23  | <b>Gasket</b>           | NBR                         |                           |
| 24  | <b>Gasket</b>           | NBR                         |                           |

## Additional information

Catalogue

[MHZ\\_EU.pdf](#)

Operation manuals

[OM\\_MHZ2\\_OMD0047EN-A.pdf](#)

[OM\\_MHZA2\\_OMD0082EN-A.pdf](#)