

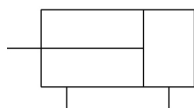
## C(D)UJ, Miniature Free Mount Cylinder

### CDUJS20-20D

Datasheet

### General series information

- Miniature free mount
- Space saving compact cylinder
- Available in 4mm to 20mm bore size.



Double-acting, single-rod cylinder

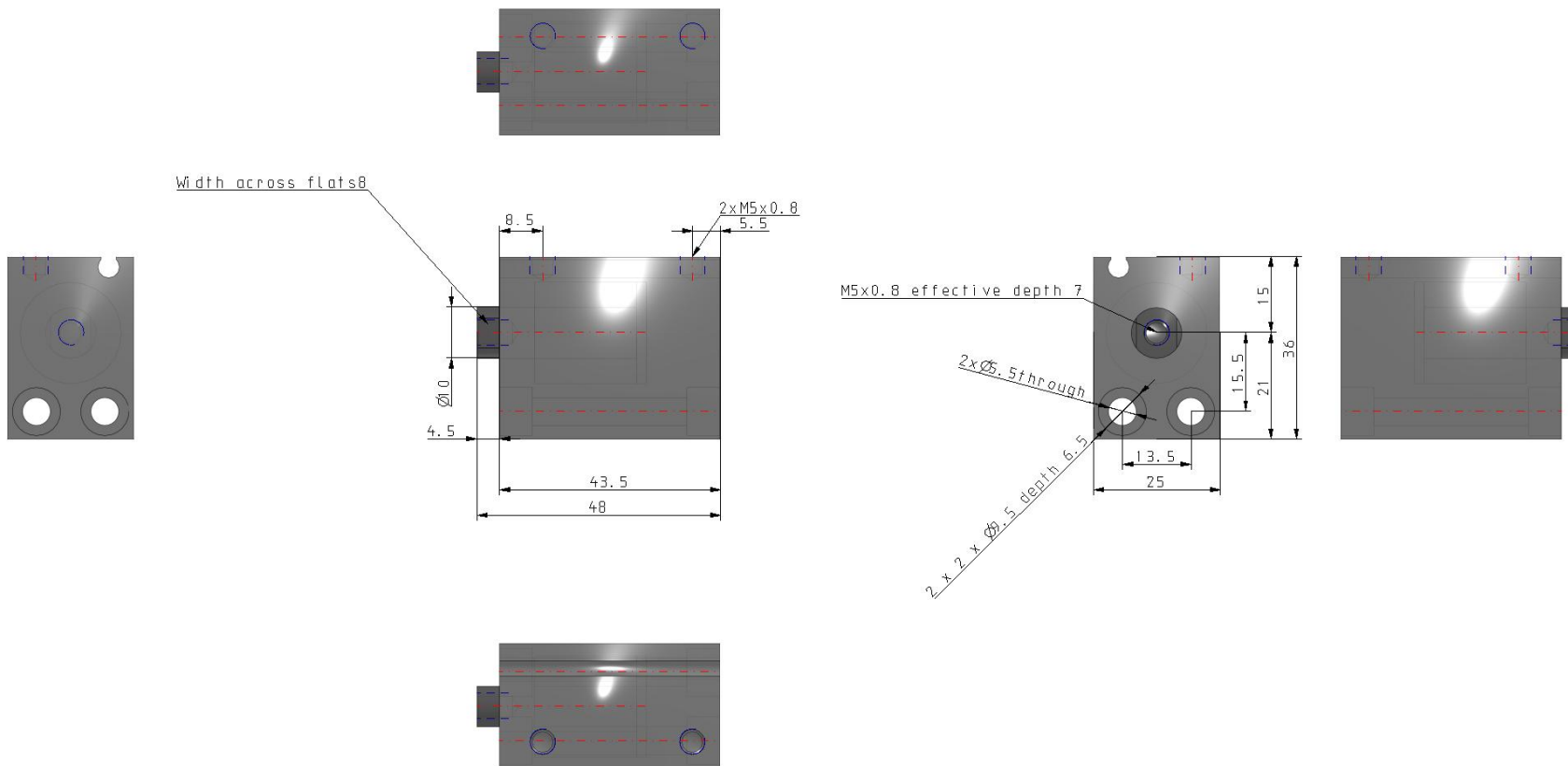
### Standard specifications

Clean Series	Without Clean Series
Magnet	D (Built-in Magnet)
Mounting Direction	S (Axial Mounting)
Bore Size	20
Stroke	20mm
Action	D (Double Acting)
Rod End Thread	Rod End Female Thread (w/o Thread for ø4)
Auto Switch	No Switch
Lead Wire or Prewired Connector	0.5m (Or None in the Case of No Switch)
Number	2 pcs. (Or None in the Case of No Switch)
Pressure medium	Air
Maximum operating pressure	0.7 MPa
Minimum operating pressure	0.05 MPa
Proof pressure	1.05 MPa
Theoretical cylinder force, advance stroke (at 0.5 MPa)	157 N
Theoretical cylinder force, return stroke (at 0.5 MPa)	118 N
Type of cushioning	Rubber Bumper
Femalethread of rod end	Standard
Ambient and fluid temperature	-10 to 70 °C
Stroke length tolerance	0 - +1.0

F449 - Rod_end_thread_tolerance	JIS class 2
F450 - Mounting	Through-hole
Piston speed	50 - 500 mm/s
Weight	0.092 Kg

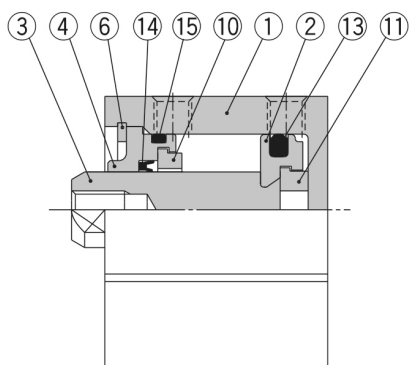
Specifications are subject to change without prior notice and any obligation on the part of the manufacturer.

# Dimensions

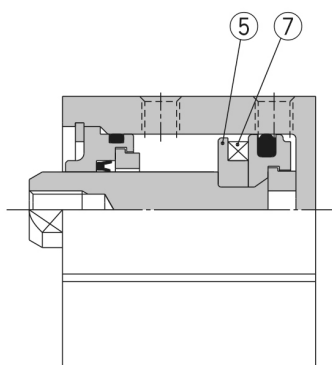


## Constructions

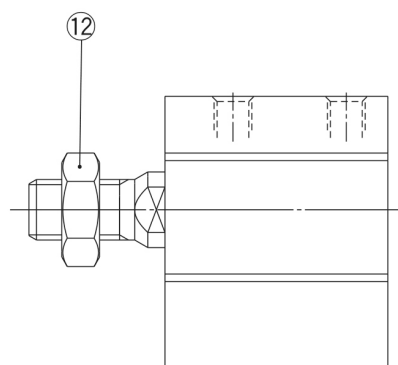
### Double Acting



Without magnet



Built-in magnet



Rod end male threaded

### Component Parts

No.	Description	Material	Note
1	<b>Cylinder tube</b>	Aluminum alloy	Hard anodized
2	<b>Piston</b>	Aluminum alloy	Trivalent chromated
3	<b>Piston rod</b>	Stainless steel	
4	<b>Collar</b>	Aluminum alloy	Hard anodized
5	<b>Magnet holder</b>	Aluminum alloy	Trivalent chromated
6	<b>Retaining ring</b>	Steel for special applications	Phosphate coated
7	<b>Magnet</b>	—	
8	<b>Return spring</b>	Steel wire	Zinc trivalent chromated
9	<b>Element</b>	Bronze casted	(for Ø 12, Ø 16)
	<b>Plug with fixed restrictor</b>	Structural steel	Nickel plated (for Ø 20)
10	<b>Damper A</b>	Resin	
11	<b>Damper B</b>	Resin	
12	<b>Rod end nut</b>	Steel wire	Nickel plated
13	<b>Piston seal</b>	NBR	
14	<b>Rod seal</b>	NBR	
15	<b>O-ring</b>	NBR	

## Additional information

Catalogue

[CUJ-C\\_EU.pdf](#)

Operation manuals

[cuj\\_cuj\\_-om0001j.pdf](#)