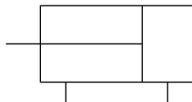


## MGQM, Compact Guide Cylinder, Slide Bearing MGQM40-50

### Datasheet

The solution for a linear-actuator subject to high loads. Ideal for material handling applications. Two basic models include a self-lubricating slide bushing and a linear ball bearing style. The 100mm slide bushing model can stop a load of 1300 Kg. traveling at 280 mm(sg, or smoothly lift a centered load of 450 Kg. with a 40% safety factor. The overall package is very compact, and pre-tapped mounting holes ensure easy attachment of fixtures. Mounts on side or bottom. The MGQ offers bore sizes from 12 to 100mm and is switch capable.



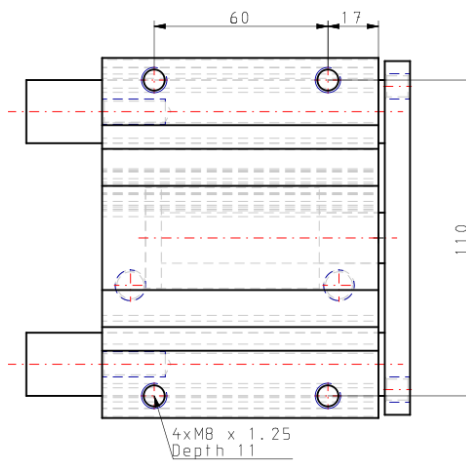
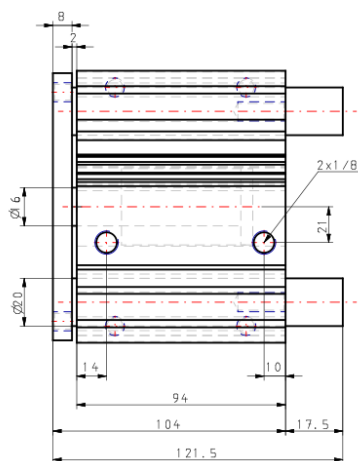
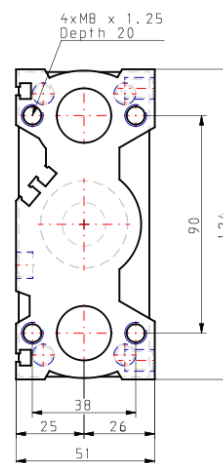
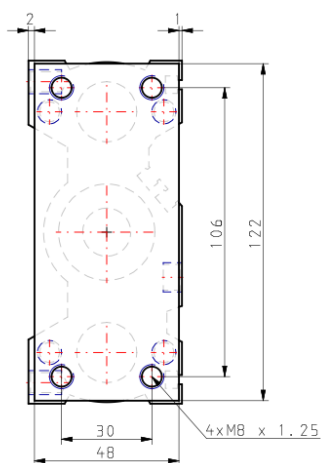
Double-acting, single-rod cylinder

### Standard specifications

Bore Size	40mm
Thread Type	Metric (Bore $\varnothing$ 12 to $\varnothing$ 16) & Rc(PT)
Stroke	50
Auto Switch	No Switch
Lead Wire or Prewired Connector	0.5m (Or None in the Case of No Switch)
Number	2 pcs. (Or None in the Case of No Switch)
Rod End Options	None
Temperature Resistance	None
Low Speed	None
Fluororubber Seal	None
Pressure medium	Air
Maximum temperature of pressure medium	60 °C
Minimum temperature of pressure medium	-10 °C (No freezing)
Maximum operating pressure	1.0 MPa
Minimum operating pressure	0.1 MPa
Proof pressure	1.5 MPa
Maximum ambient temperature	60 °C
Minimum ambient temperature	-10 °C (No freezing)
Conform to the European RoHS Directive	Conform

Numero of pneumatic connections	2 pcs.
Pneumatic input connection	Rc 1/8
Mode of operation of drive	Double acting
Theoretical cylinder force, advance stroke (at 0.5 MPa)	629 N
Theoretical cylinder force, return stroke (at 0.5 MPa)	528 N
Maximum piston speed	500 mm/s
Type of cushioning	Rubber bumper on both ends
Minimum piston speed	50 mm/s
Non-rotating accuracy of plate	$\pm 0.06^\circ$
Lubrication	Non-lube
Weight	2.330 Kg

## Dimensions



## Additional information

Catalogue

[MGQ\\_EU.pdf](#)