

## C(D)RB2\*W10~40-Z, Rotary Actuator, New Vane Style CDRB2BW15-90SZ

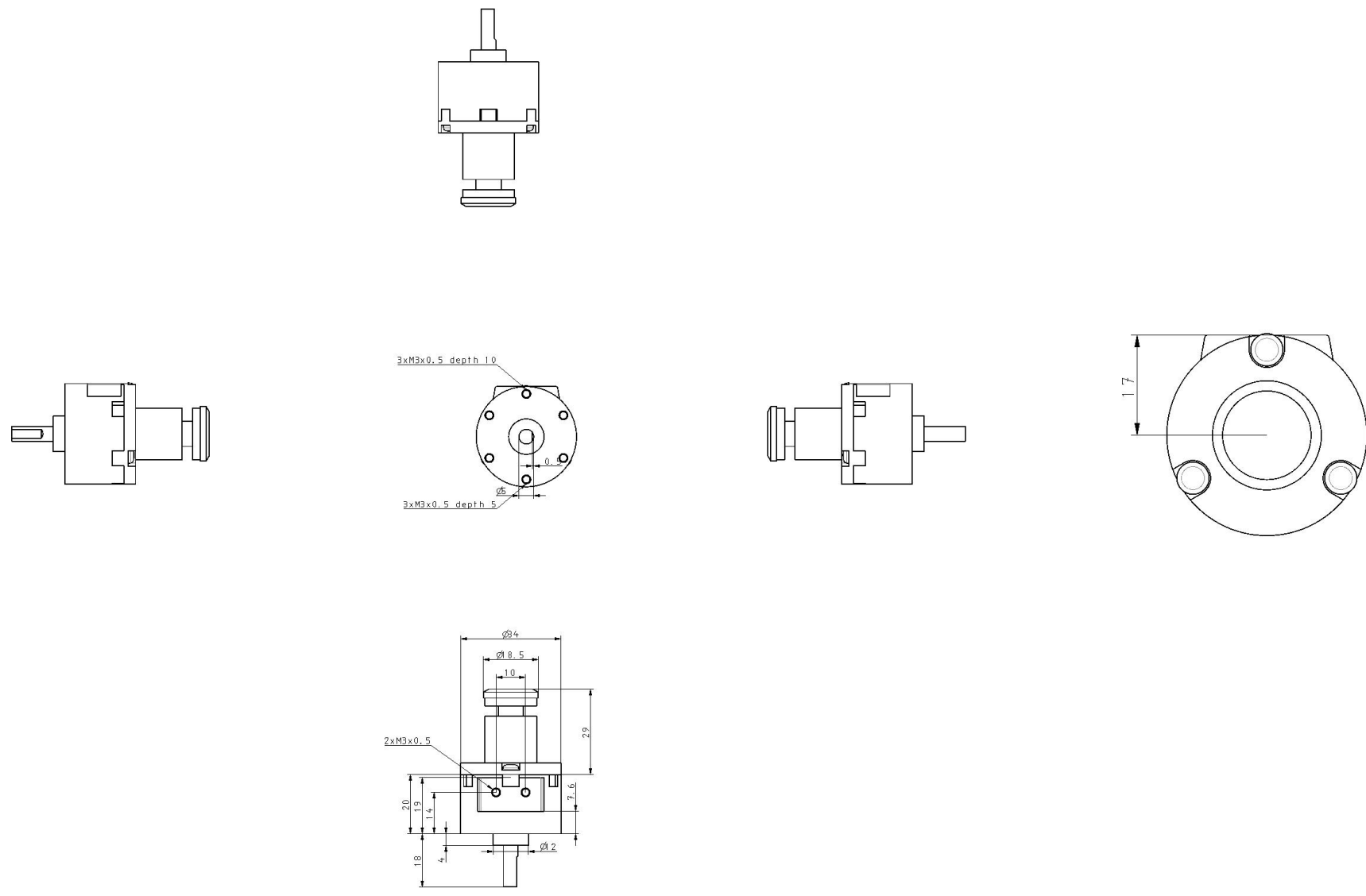
Datasheet

- Standard type.
- Piping ports are located on the flat surface.
- Many variations of shaft-end shape (6 types).

### Standard specifications

|                                 |   |
|---------------------------------|---|
| Magnet                          | D (Built-in)                              |
| Mounting                        | B (Basic)                                 |
| Standard Shaft Type             | W (Double Shaft with Single Flat)         |
| Angle Adjusting Unit            | None                                      |
| Size                            | 15 mm                                     |
| Rotation Angle - Vane           | 90S (Angle: 90 Single Vane)               |
| Port                            | Side                                      |
| Auto Switch                     | No Switch                                 |
| Lead Wire or Prewired Connector | 0.5m (Or None in the Case of No Switch)   |
| Number                          | 2 pcs. (Or None in the Case of No Switch) |
| -                               | Air (Non-lube)                            |
| Weight                          | 0.068 Kg                                  |

# Dimensions



Specifications are subject to change without prior notice and any obligation on the part of the manufacturer.

## Additional information

Catalogue

[CRB2-C\\_EU.pdf](#)

Operation manuals

[OM\\_CRB2\\_OM00001EN-B.pdf](#)