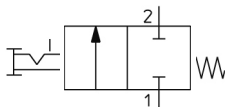


## VM100, 100 Series 2/3 Port Mechanical Valve VM130-F01-34GA

Datasheet

### General series information

- Fluid: Air/Inert gas.
- Compact size.
- Piping options: Side ported, Bottom ported.
- Possible to choose mounting method with side ported.
- Variety of actuator types.



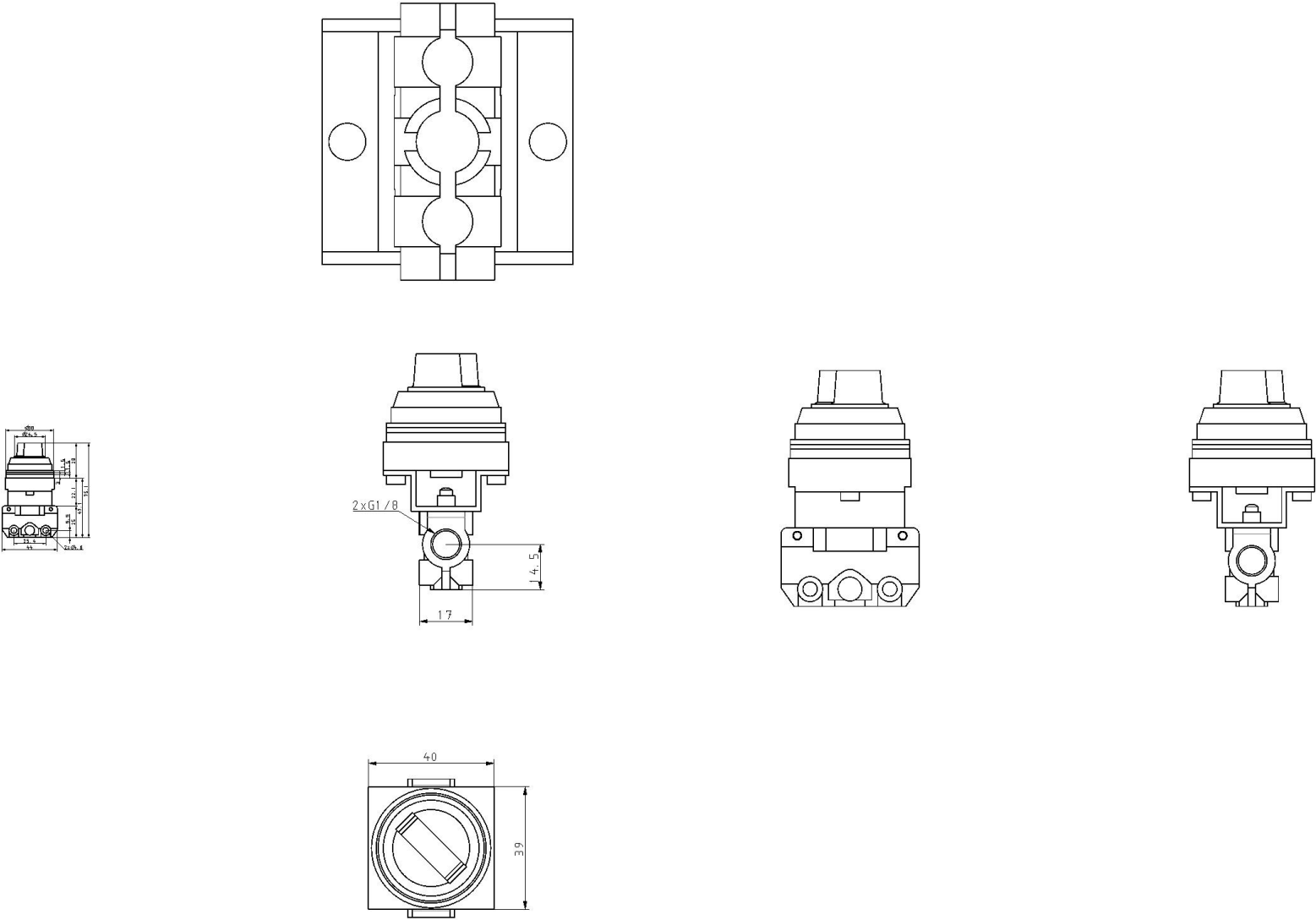
*Directional control valve 3/2-way valve, closed normal position Push/pull control mechanism with detent Return with mechanical control spring*

### Standard specifications

Number of Ports	3 Port
Piping Direct., Plunger Length	0 (Side Ported Long)
Body Option	Side Mounting
Port Size	F01 (G 1/8) Side Ported Only
Actuator type	34 (Twist Selector, 2 Position)
Suffix	G (Green)
Indicator	None
Bracket	None
Pressure medium	Air/Inert gas
Maximum temperature of pressure medium	60 °C
Minimum temperature of pressure medium	-5 °C (No freezing)
Maximum operating pressure	1.0 MPa
Minimum operating pressure	-100 kPa
Maximum ambient temperature	60 °C
Minimum ambient temperature	-5 °C (No freezing)
Pneumatic input connection	G 1/8
Pneumatic exhaust connection	G 1/8
Function in normal position	Exhausted

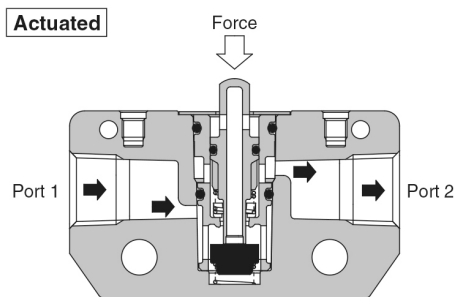
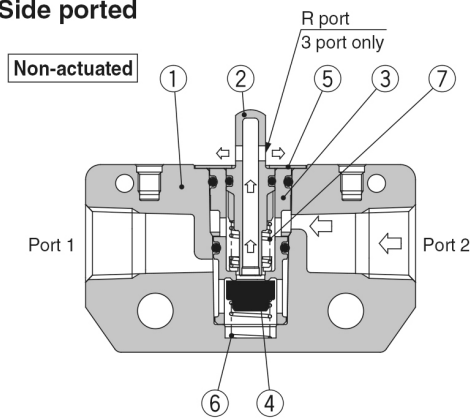
Type of piloting	Directly
Valve return	Mechanical spring
Flow rate	144 l/min
Critical pressure ratio	0.2
Sonic conductance dm <sup>3</sup> /(s·bar)	0.6
Actuation type	Manually
Weight	0.116 Kg

# Dimensions

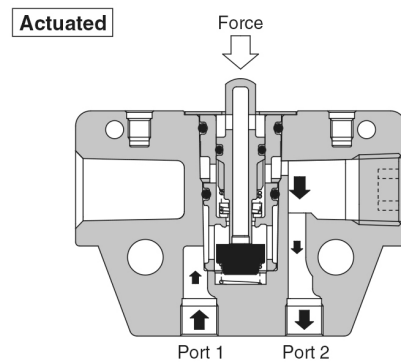
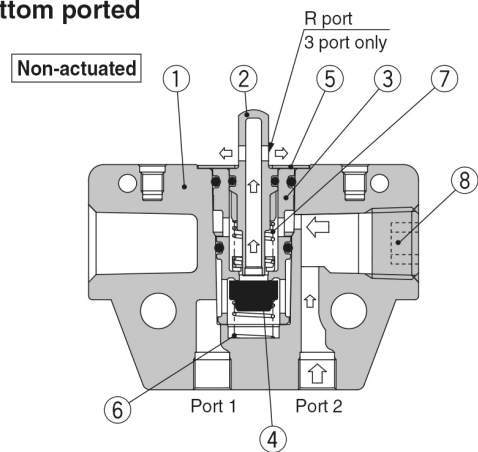


## Constructions

### Side ported



### Bottom ported



### Component Parts

No.	Description	Material	Note
1	Valve	ZDC	White coated
2	Plunger	Polyacetal	2 port Grey
			3 port White
3	Valve sheet	PBT	
4	Valve	NBR	

No.	Description	Material	Note
5	Plunger retainer	Stainless steel	
6	Spring	Stainless steel	
7	Spring	Spring steel	
8	Hexagon socket head taper plug	Rolled steel	

## Additional information

Catalogue	<a href="#">VM100-200-A_EU.pdf</a>
Installation manuals	<a href="#">IM_VM100_TF2Z478EN-C.pdf</a>