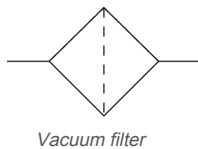


ZFC, In-line Air Filter with One-touch Fitting (NEW) ZFC33-B

Datasheet

General series information

- Wide range of applicable tubing.
- Lock mechanism.
- Easy piping.
- Interchangeability.
- Flexible mounting orientation.
- Lightweight.
- Variety of colours for an easy visualization.



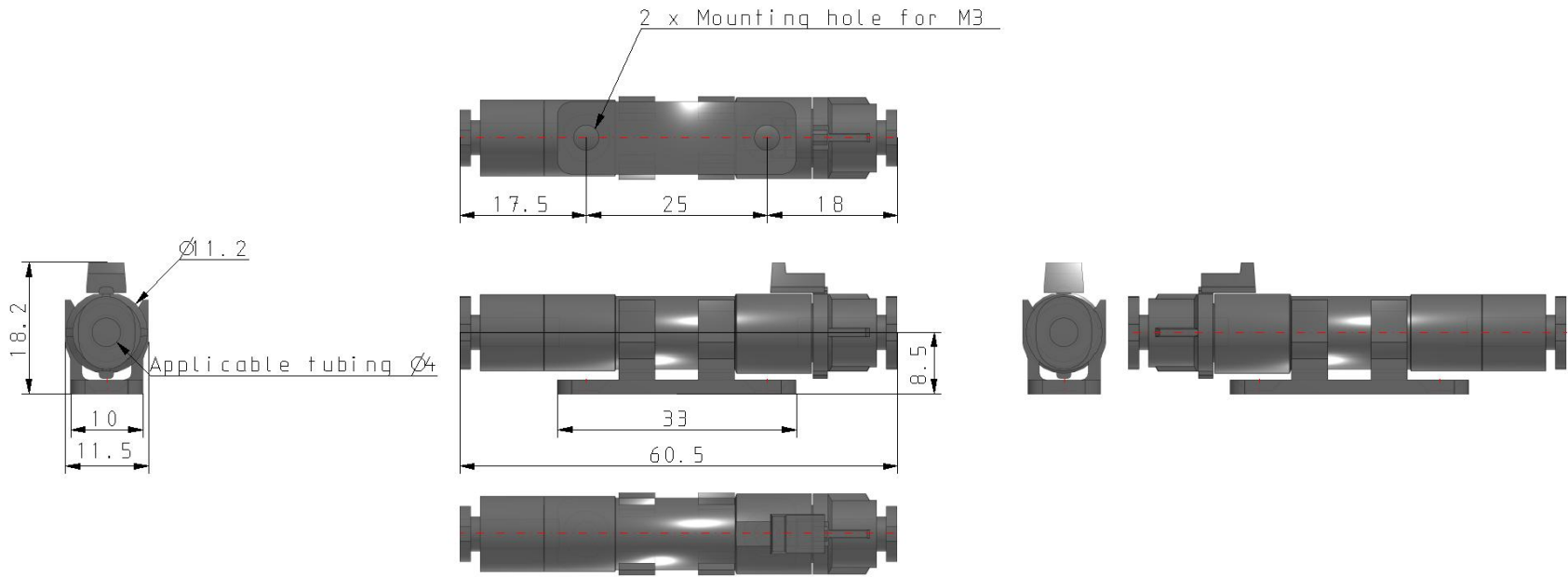
Standard specifications

| | |
|---|---------------------|
| Body Size | 3 (10 l/min) |
| Applicable Tubing O.D. | 3 (ø4) |
| Bracket | B (With Bracket) |
| Made to Order | None |
| Maximum operating pressure | 1 MPa |
| Minimum operating pressure | -100 kPa |
| Proof pressure | 1.5 MPa |
| Maximum ambient temperature with magnet | 60 °C |
| Minimum ambient temperature | 0 °C; 0 °C |
| Conform to the European RoHS Directive | Conform |
| Flow rate | 80 l/min |
| Bowl Material | Polycarbonate |
| Drain Capacity | 4.5 cm ³ |
| Applicable fluid | Air, Nitrogen |
| Maximum suction flow rate | 10 l/min |
| Suction filter, Filtration area | 470 mm ² |

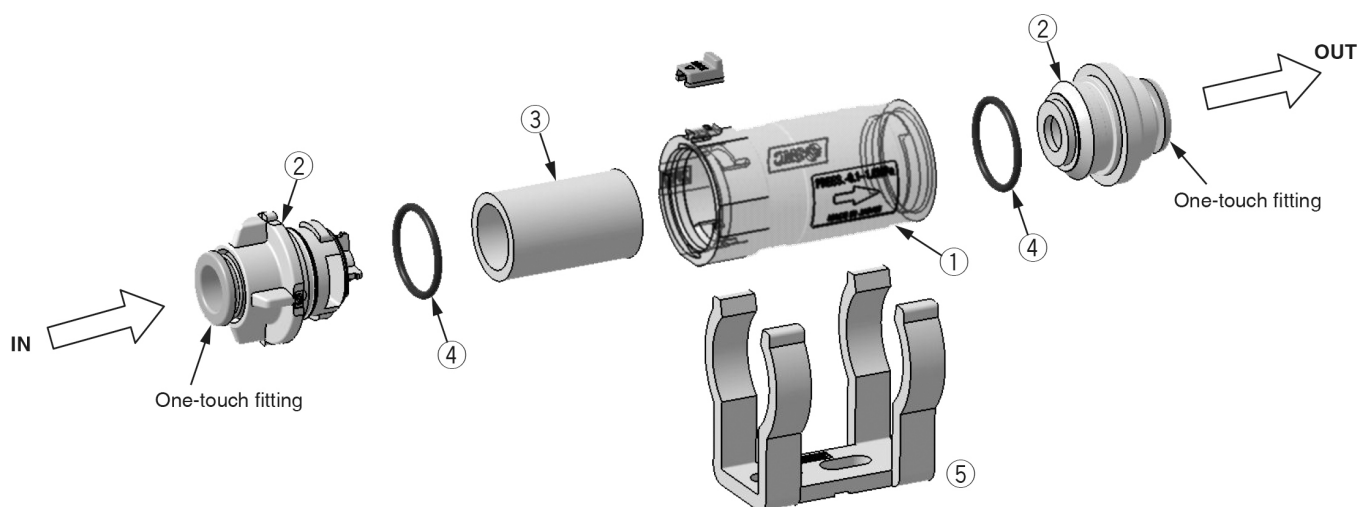
| | |
|---|---------------------------------|
| Applicable tubing material | Nylon, Soft nylon, Polyurethane |
| Suction filter, Nominal filtration rating | 5 µm |
| Weight | 0.010 Kg |

Specifications are subject to change without prior notice and any obligation on the part of the manufacturer.

Dimensions



Constructions



Component Parts

| No. | Description | Material | Quantity |
|-----|-------------|----------------|----------|
| 1 | Case | PC | 1 |
| 2 | Cover | Resin PBT | 2 |
| 3 | Element | Sintered resin | 1 |
| 4 | O-ring | HNBR | 2 |
| 5 | Bracket | Resin PBT | 1 |

Additional information

Catalogue

[ZFC-B_EU.pdf](#)