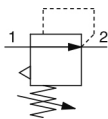


IR1000/2000/3000-A, Precision Regulator IR2020-F02B-A

Datasheet

General series information

- Lightweight.
- Addition of bottom and front exhaust.
- Precision regulator, with repeatability $\pm 0.5\%$ (full span). Sensitivity: 0.2% (full span).
- Max. supply pressure: 1.0 MPa.



Pressure control valve, relieving pressure regulator, adjustable

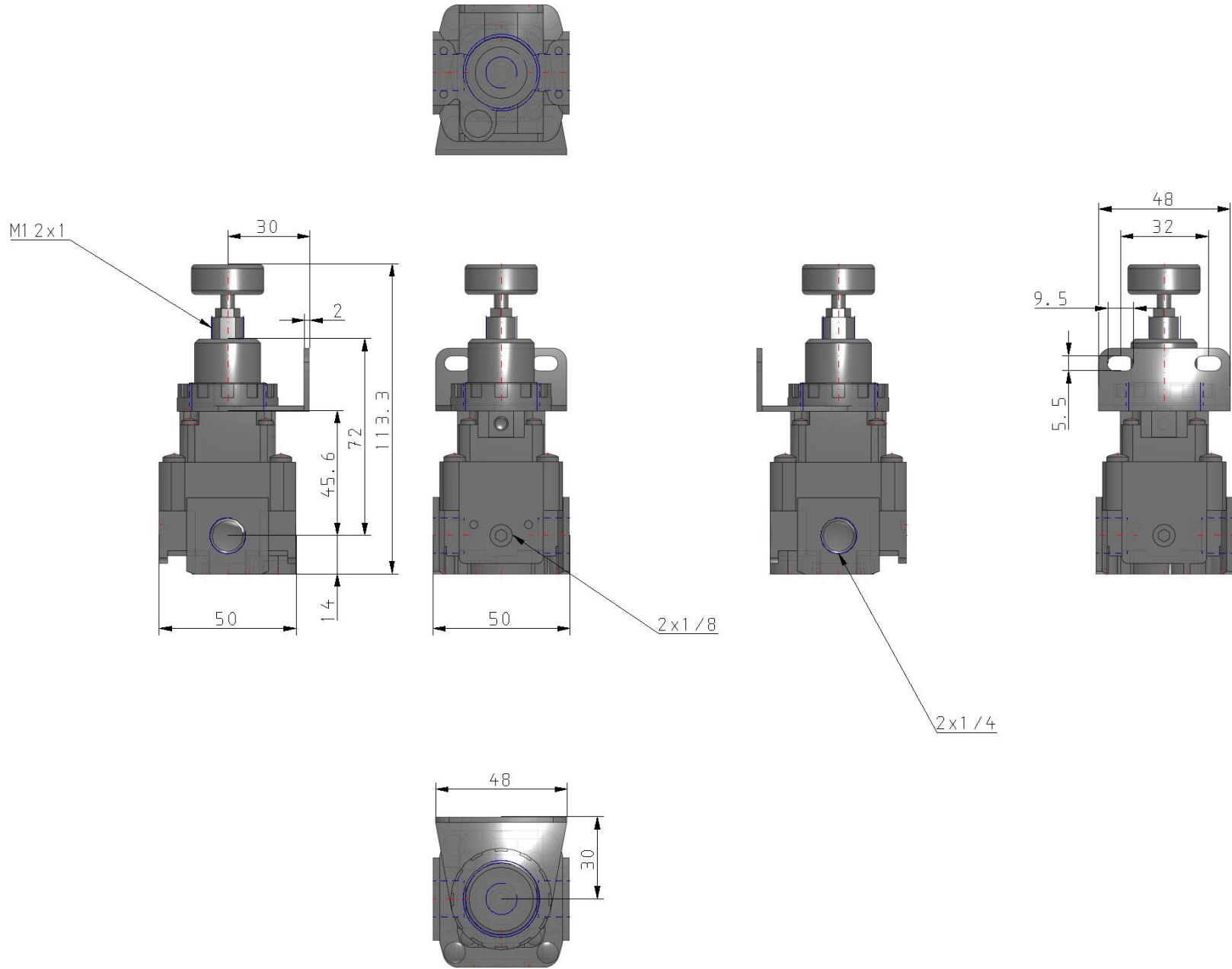
Standard specifications

| | |
|---|--------------------------|
| Body Size | 2 |
| Set pressure | 2 (0.01 to 0.8 MPa) |
| Exhaust Direction | 0 (Bottom Exhaust) |
| Thread | F (G) |
| Port Size | 02 (1/4) |
| Option | B (With bracket) |
| Semi-standard | None |
| Pressure medium | Air |
| Maximum temperature of pressure medium | 60 °C |
| Minimum temperature of pressure medium | -5 °C [with no freezing] |
| Proof pressure | 1.5 MPa |
| Maximum ambient temperature | 60 °C |
| Minimum ambient temperature | -5 °C [with no freezing] |
| Sensitivity | Within 0.2% of full span |
| Repeatability | Within 0.5% of full span |
| Set pressure range | 0.01 to 0.8 MPa |
| Air consumption (At supply pressure of 1.0 MPa) | 1 l/min (ANR) or less |
| Max. supply pressure | 1.0 MPa |
| Min. supply pressure | 0.05 MPa |

Weight

0.280 Kg

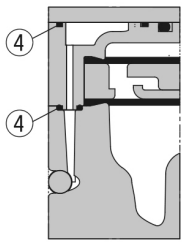
Dimensions



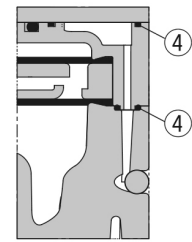
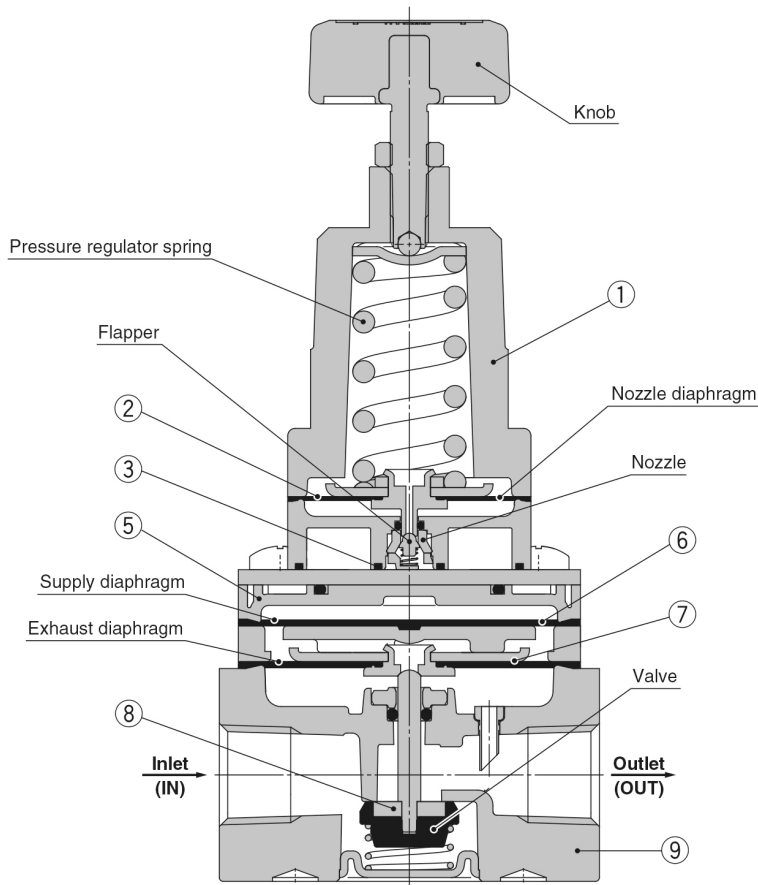
Specifications are subject to change without prior notice and any obligation on the part of the manufacturer.

Constructions

Basic type (Knob): IR20□0-A



IN side passage



OUT side passage

Component Parts

| No. | Description | Material | | |
|-----|----------------------------|---|----------|--|
| | | IR1000-A | IR2000-A | IR3000-A |
| 1 | Bonnet | Aluminium die-casted | | |
| 2 | Nozzle diaphragm assembly | Aluminium, Weather resistant NBR | | |
| 3 | Seal | HNBR | | |
| 4 | Seal | NBR | | |
| 5 | Diaphragm spacer | Polyacetal | | |
| 6 | Supply diaphragm | Weather resistant NBR | | — |
| 7 | Exhaust diaphragm assembly | Steel, Aluminium, Weather resistant NBR | | Aluminium, Weather resistant NBR, HNBR |
| 8 | Valve assembly | Stainless steel, Aluminium, HNBR | | Aluminium, HNBR |
| 9 | Body | Aluminium die-casted | | |

Additional information

| | |
|----------------------|---|
| Catalogue | IR000A-Aa_EU.pdf |
| Installation manuals | IM_IRx000-A_SMW54EN.pdf |
| Operation manuals | OM_IR10_OM00008EN.pdf OM_IRx_OMT0020EN.pdf |