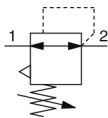


IR1200/2200/3200-A, Regulator IR1220-F01-A

Datasheet

General series information

- Lightweight.
- Addition of bottom and front exhaust.
- Repeatability $\pm 1.0\%$ (full span).
- High flow rate.
- Max. supply pressure: 1.0 MPa.



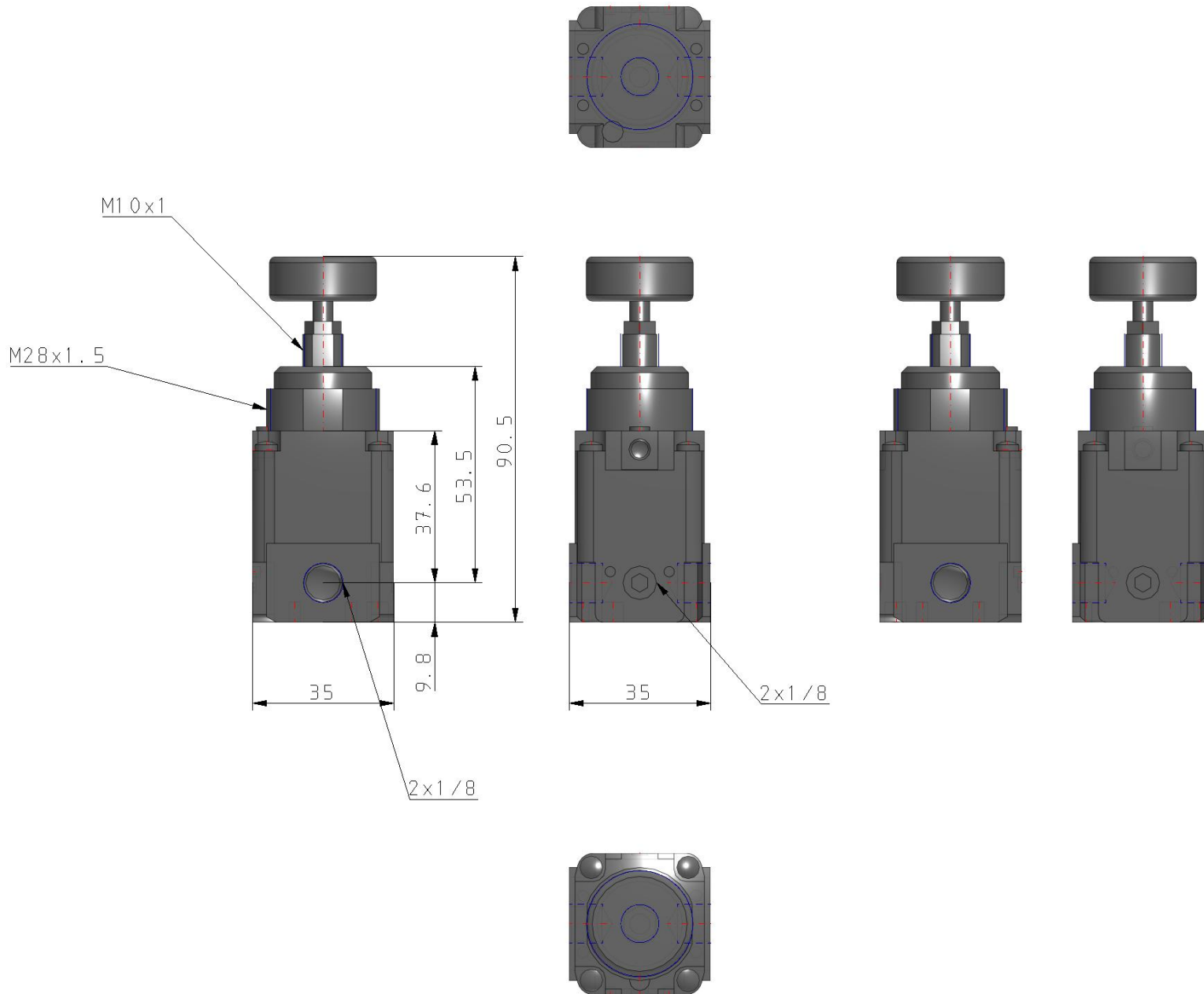
Regulator with backflow function

Standard specifications

Body Size	1
Set pressure	2 (0.02 to 0.8 MPa)
Exhaust Direction	0 (Bottom Exhaust)
Thread	F (G)
Port Size	01 (1/8)
Option	None
Semi-standard	None
Pressure medium	Air
Maximum temperature of pressure medium	60 °C
Minimum temperature of pressure medium	-5 °C (with no freezing)
Maximum operating pressure	1.0 MPa
Proof pressure	1.5 MPa
Maximum ambient temperature	60 °C
Minimum ambient temperature	-5 °C (with no freezing)
Repeatability	Within $\pm 1\%$ of full span
Air consumption (At supply pressure of 1.0 MPa)	1 l/min (ANR) or less
Max. supply pressure	1.0 MPa
Min. supply pressure	Set pressure +0.05 MPa

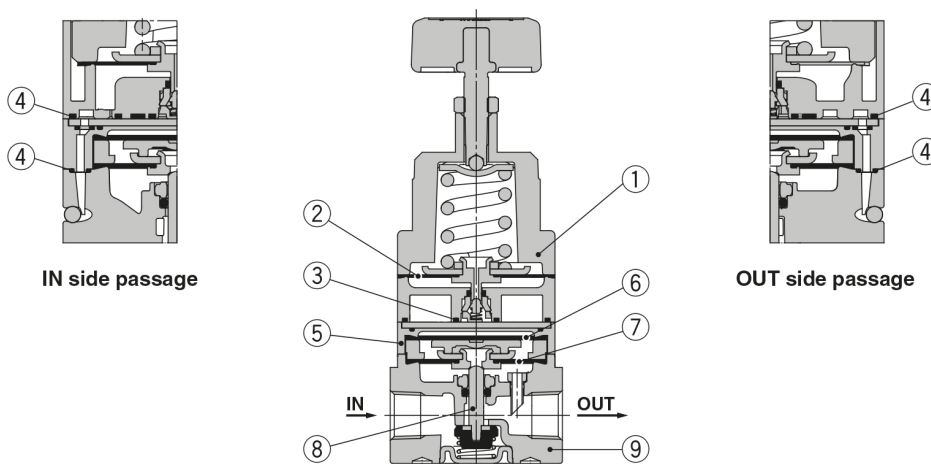
Approvals	No need
Weight	0.125 Kg

Dimensions



Constructions

Basic type (Knob): IR12□0-A



Component Parts

No.	Description	Material		
		IR1200-A	IR2200-A	IR3200-A
1	Bonnet	Aluminium die-casted		
2	Nozzle diaphragm assembly	Aluminium, Weather resistant NBR		
3	Seal	HNBR		
4	Seal	NBR		
5	Diaphragm spacer	Polyacetal		
6	Supply diaphragm	Weather resistant NBR		—
7	Exhaust diaphragm assembly	Steel, Aluminium, Weather resistant NBR		Aluminium, Weather resistant NBR, HNBR
8	Valve assembly	Stainless steel, Aluminium, HNBR		Aluminium, HNBR
9	Body	Aluminium die-casted		

Additional information

Catalogue	IR200A-Aa_EU.pdf
Operation manuals	OM_IR2120_OM00004EN-F.pdf OM_IR2000_OM00009EN-A.pdf OM_IR3000_OM00016EN-A.pdf OM_IR20_OM00010EN.pdf OM_IR3000_OM00015EN-A.pdf