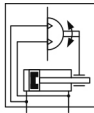


## MK2T, Rotary Clamp Cylinder, Double Guide Type MK2TB20-20RN

Datasheet

### General series information

- Larger allowable moment of inertia.
- Horizontal mounting is now possible.
- Anti-rotational and rotational accuracies improved.



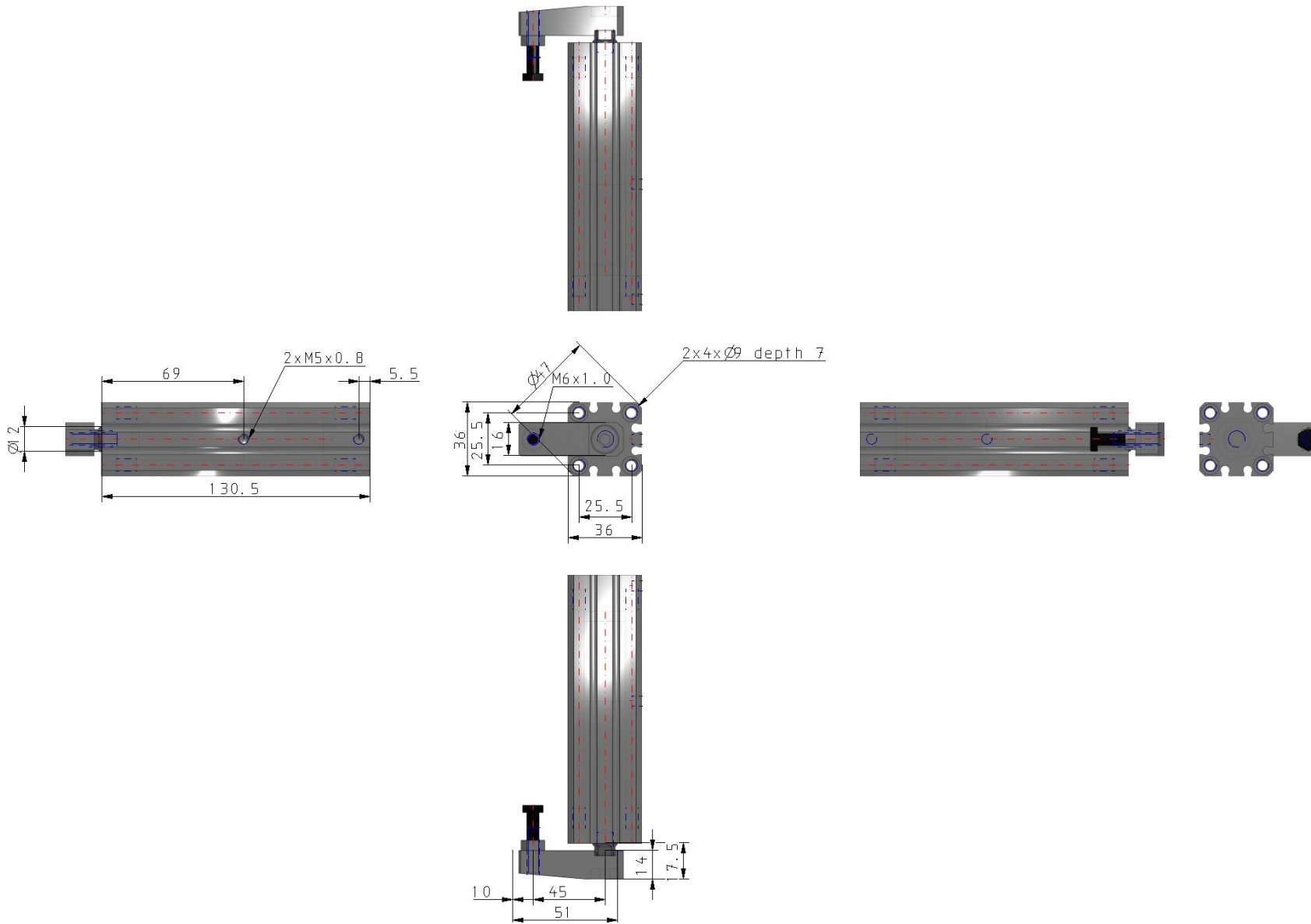
Rotary clamp cylinder

### Standard specifications

Mounting	B (Through Hole Both Ends Tapped Common)
Bore Size	20 mm
Cylinder Port	M Thread: 20, 25 Bore; Rc: 32 to 63 Bore
Stroke	20 mm
Rotation	R (Right Rotation)
Body Option	N (Arm)
Auto Switch	No Switch
Lead Wire or Prewired Connector	0.5 m (Or None in the Case of No Switch)
Number	2 pcs. (Or None in the Case of No Switch)
X Option	None
Maximum operating pressure	1 MPa
Minimum operating pressure	0.1 MPa
Proof pressure	1.5 Mpa
Maximum ambient temperature	Without auto switch: -10 to 70°C (No freezing) With auto switch: -10 to 60°C (No freezing)
Minimum ambient temperature	-10°
Type of cushioning	Rubber Bumper
Non-rotating accuracy of plate	±1.0°
Port size	M5 x 0.8
Lubrication	Non-lube

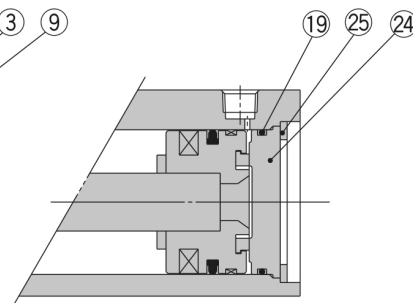
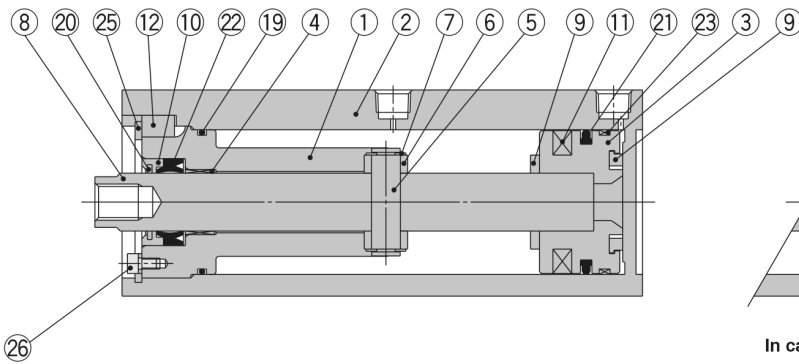
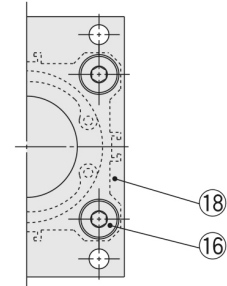
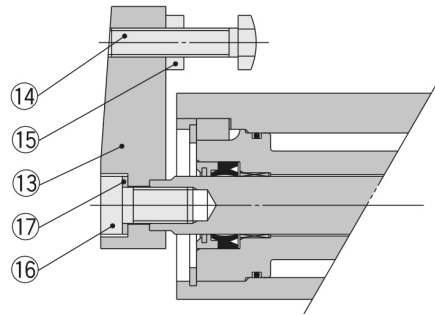
Fluid	Air
Stroke length tolerance	+ 1.0 0
Rotary stroke	19
Clamp stroke	10, 20
Theoretical clamp force (at 0.5 MPa.)	10, 20
Piston speed	50 - 200 mm/s
Rotation angle	90° ±5°
Weight	0.533 Kg

# Dimensions



# Constructions

MK2T□20 to 63

**With arm (N)**
**Head end flange (G)**


In case of clamp stroke 50 mm

## Component Parts

No.	Description	Material	Note
1	<b>Rod cover</b>	Structural steel	Electroless nickel plated
2	<b>Cylinder tube</b>	Aluminium alloy	Anodic oxide coating
3	<b>Piston</b>	Aluminium alloy	Trivalent chromated
4	<b>Bushing</b>	Oil-impregnated sintered alloy	ø20, ø25
		Bronze casted	ø32 to ø63
5	<b>Guide shaft</b>	Stainless steel	ø20, ø25: Hard chrome plated
		Structural steel	ø32 to ø63: Hard chrome plated
6	<b>Guide roller</b>	Structural steel	
7	<b>Retaining ring</b>	Steel for special applications	ø20, ø25: Phosphate coating
			ø32 to ø63: Zinc trivalent chromated
8	<b>Piston rod</b>	Stainless steel	ø20, ø25: Hard chrome plated
		Structural steel	ø32 to ø63: Hard chrome plated
9	<b>Bumper</b>	Urethane	
10	<b>Seal retainer</b>	Aluminium alloy	Trivalent chromated
11	<b>Magnet</b>	—	
12	<b>Key</b>	Structural steel	Zinc trivalent chromated

## Component Parts

No.	Description	Material	Note
13	<b>Arm</b>	Structural steel	Electroless nickel plated
14	<b>Clamp bolt</b>	Structural steel	Electroless nickel plated
15	<b>Hexagon nut</b>	Structural steel	Nickel plated
16	<b>Hexagon socket head cap screw</b>	Structural steel	Nickel plated
17	<b>Spring washer</b>	Steel wire	Nickel plated
18	<b>Flange</b>	Structural steel	Nickel plated
19	<b>Gasket</b>	NBR	
20	<b>Coil scraper</b>	Bronze	
21	<b>Piston seal</b>	NBR	
22	<b>Rod seal</b>	NBR	
23	<b>Wear ring</b>	Resin	
24	<b>Bottom plate</b>	Aluminium alloy	Anodic oxide coating
25	<b>Retaining ring</b>	Steel for special applications	Phosphate coating
			Nickel plated (ø40 to ø63 only)
			ø25, ø32 only
			Nickel plated (ø25, ø32 only)
26	<b>Hexagon socket head cap screw (with SW)</b>	Structural steel	Nickel plated (ø40 to ø63 only)
		Structural steel	Nickel plated (ø25, ø32 only)

## Additional information

Catalogue

[MK\\_MK2\\_EU.pdf#page=22](#)