

Elbow - AS*2*1FS AS2211FS-02-06S

Datasheet

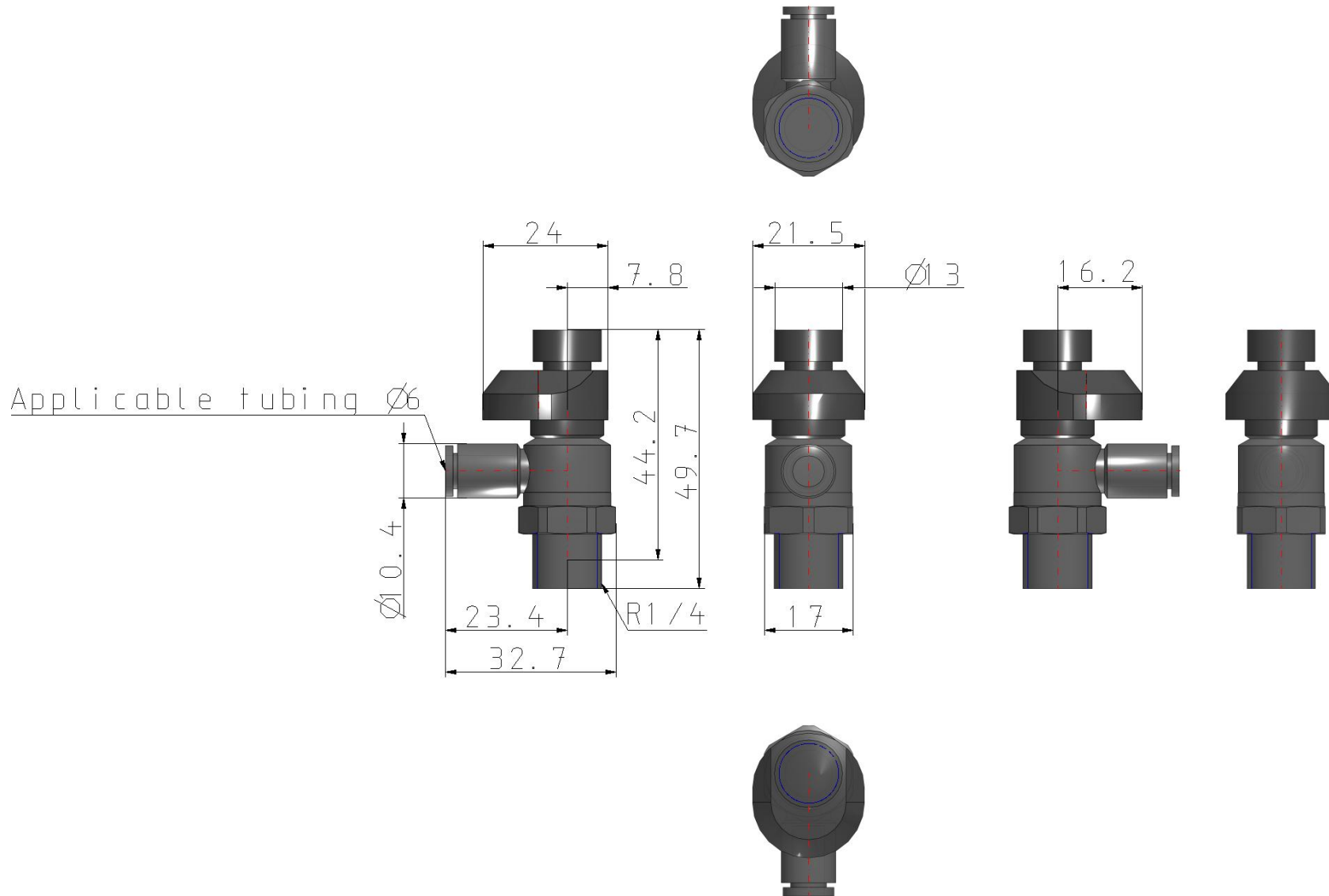
General series information

- Port Size: M5, 10-32 UNF, 1/8, 1/4, 3/8, 1/2
- Applicable Tubing O.D.: Ø 2 to Ø 16 mm and Ø 1/8" to Ø 1/2"
- Operating Pressure Range: 0.1 to 1 MPa.

Standard specifications

Clean Series	None
Body Size	2 (1/8, 1/4)
Type	2 (Elbow)
Control Type	1 (Meter-in)
Indicator Direction	0°
Thread	R (or None)
Port Size	02 (1/4)
Width Across Flats	9 mm (or None: Sizes 2/3/4)
Tubing	06 (ø6)
Seal	S (w/Sealant)
Made to Order	None
Weight	0.020 Kg

Dimensions



Additional information

Catalogue

[AS-FS-D_EU.pdf](#)