

C(D)75, Air Cylinder, Double Acting, Single Rod, Standard CD75E32-15-B

Datasheet

General series information

- Standard Cylinder, Double Acting, Single Rod.
- Bore sizes (mm): 32, 40.
- Standard strokes up to 300mm.
- Auto switch capable.



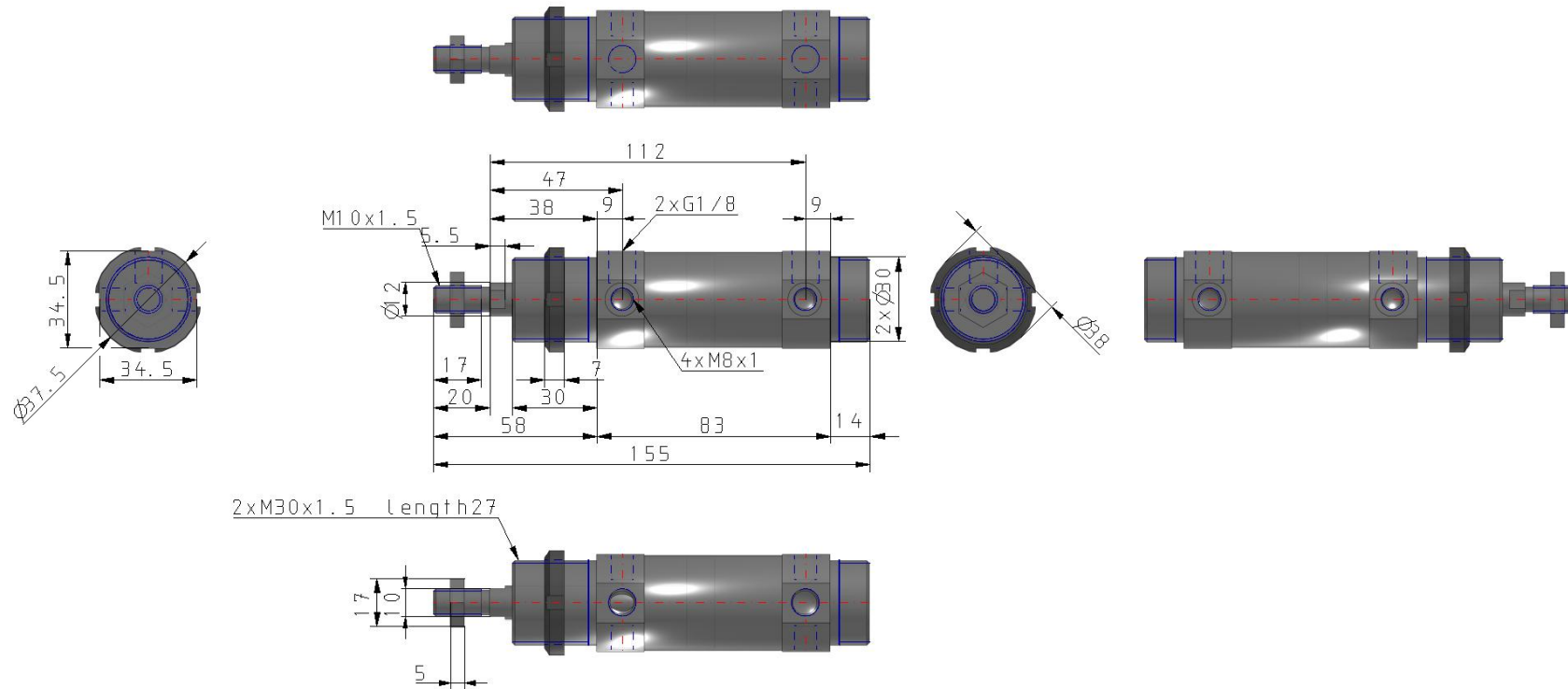
Double-acting, single-rod cylinder

Standard specifications

| | |
|---------------------------------|---|
| Magnet | D (Built-in Magnet) |
| Series | 75 (Standard) |
| Head Cover | E (Double End Boss-cut) |
| Bore Size | 32 mm |
| Stroke | 15 |
| Cushion | Rubber Bumper |
| Rod Boot | w/o Rod Boot |
| Mounting Bracket | None |
| Accessory | None |
| Auto Switch Mounting Type | B (Band Mounting) |
| Auto Switch | No Switch |
| Lead Wire or Prewired Connector | 0.5m (Or None in the Case of No Switch) |
| Number | 2 pcs. (Or None in the Case of No Switch) |
| Rod End Options | None |
| Temperature Resistance | None |
| Low Speed | None |
| Heavy Duty Scraper | None |
| Made of Stainless Steel | Standard |
| Long Stroke | Standard |

| | |
|-----------------------------------|---------------------------|
| Maximum operating pressure | 1.0 Mpa |
| Minimum operating pressure | 0.05 MPa |
| Proof pressure | 1.5 MPa |
| Pneumatic input connection | G 1/8 |
| Pneumatic exhaust connection | G 1/8 |
| Mode of operation of drive single | Double acting, Single rod |
| Maximum piston speed | 1500 mm/s |
| Type of cushioning | Air cushion |
| Male thread of rod end | M10 x 1.5 |
| Minimum piston speed | 50 mm/s |
| Lubrication | Not required (Non-lube) |
| Number of pneumatic connections | 2 |
| Fluid | Air |
| Ambient and fluid temperature | -10 - 60°C |

Dimensions



Additional information

Catalogue

[C85_C75-A_EU.pdf](#)