

## C(D)RB2\*W10~40-Z, Rotary Actuator, New Vane Style CRB2BW40-90SZ

Datasheet

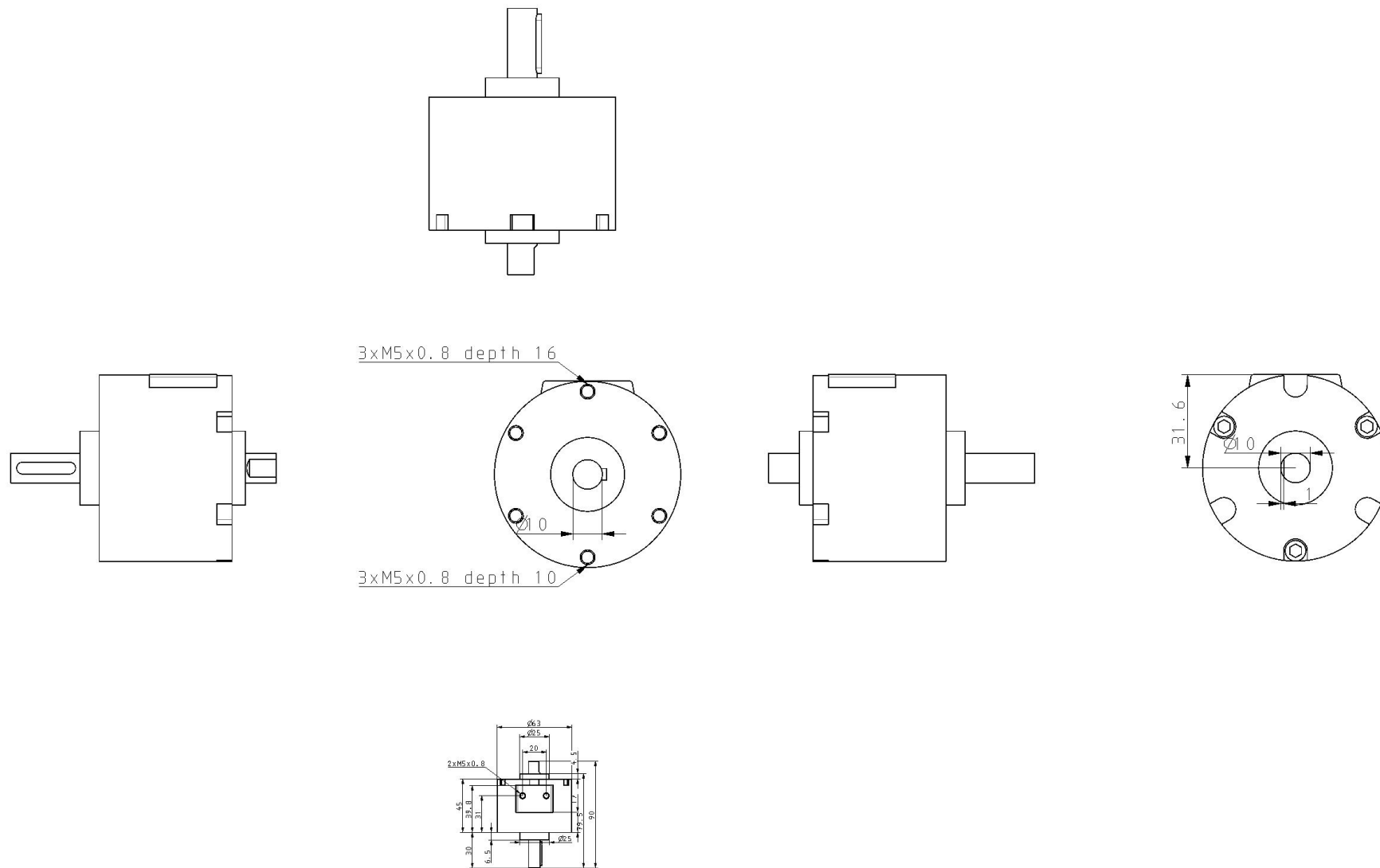
### General series information

- Standard type.
- Piping ports are located on the flat surface.
- Many variations of shaft-end shape (6 types).

### Standard specifications

Magnet	None
Mounting	B (Basic)
Standard Shaft Type	W (Double Shaft with Single Flat)
Angle Adjusting Unit	None
Size	40 mm
Rotation Angle - Vane	90S (Angle: 90 Single Vane)
Port	Side
Auto Switch	No Switch
Lead Wire or Prewired Connector	0.5m (Or None in the Case of No Switch)
Number	2 pcs. (Or None in the Case of No Switch)
Pressure medium	Air (Non-lube)
Maximum temperature of pressure medium	60 °C
Minimum temperature of pressure medium	5 °C
Maximum ambient temperature	60 °C
Minimum ambient temperature	5 °C
Number of pneumatic connections	2 pcs.
Geometric form of the piston rod	Single rod
Weight	0.385 Kg

# Dimensions



## Additional information

Catalogue

[CRB2-C\\_EU.pdf](#)

Operation manuals

[OM\\_CRB2\\_OM00001EN-B.pdf](#)