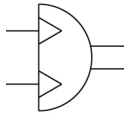


MSQ, Rotary Table, Rack & Pinion, Shock Absorber MSQB10L3

Datasheet

General series information

- Rotary table w/external shock absorber
- Four bore sizes available
- High precision or basic type available
- 90° and 180° rotation available
- Auto switch capable



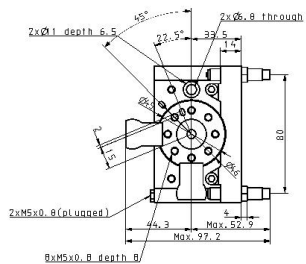
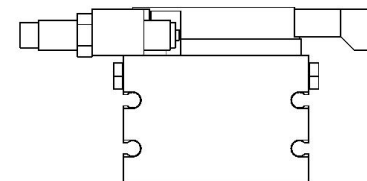
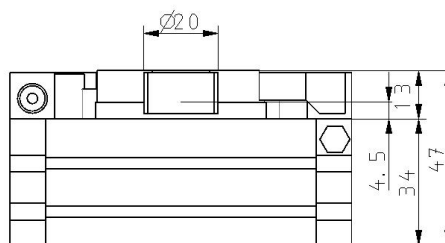
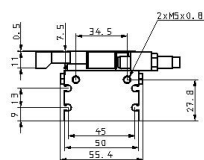
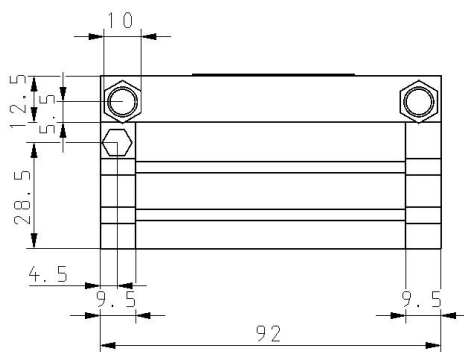
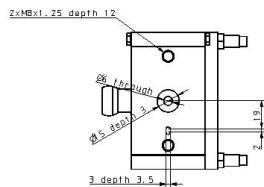
Semi-rotary actuator, double acting

Standard specifications

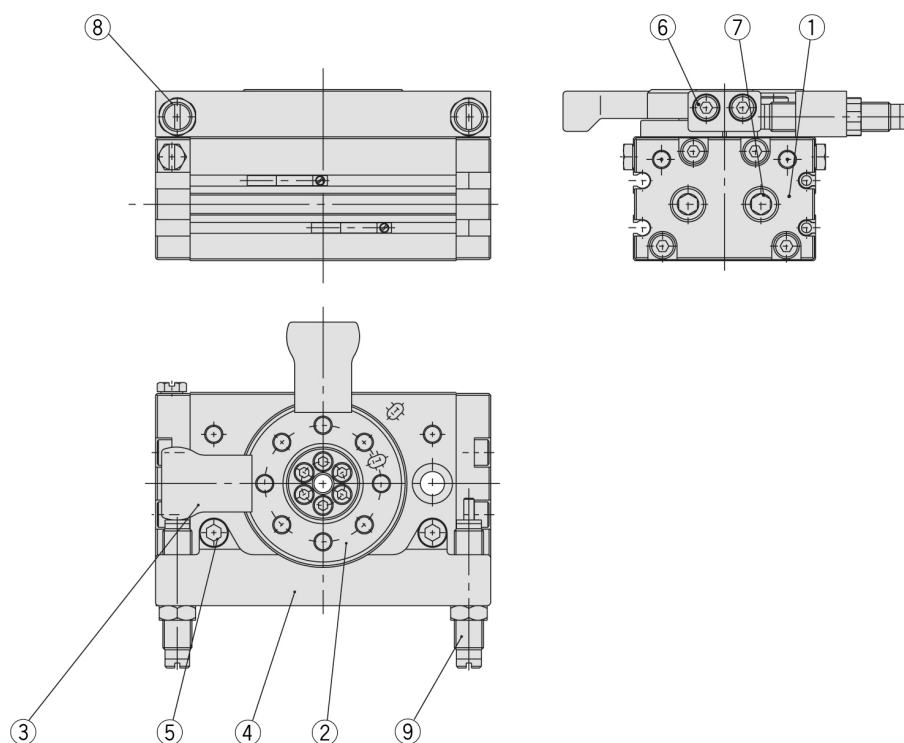
Bearing Style	B (Basic Style)
Size	10mm
Shock Absorber	L (For Low Energy)
Port Location	3 (Standard 90°)
Auto Switch	No Switch
Lead Wire or Prewired Connector	0.5m [Or None in the Case of No Switch]
Number	2 pcs. [Or None in the Case of No Switch]
Thread Type	M5 [10,20]; Rc 1/8 [30,50]
Pressure medium	Compressed air (non-lube)
Maximum temperature of pressure medium	60 °C
Minimum temperature of pressure medium	0 °C
Maximum operating pressure	1.0 MPa
Minimum operating pressure	0.2 MPa
Maximum ambient temperature	60 °C
Minimum ambient temperature	0 °C
Number of pneumatic connections	4 pcs.
Pneumatic input connection	M5
Mode of operation of drive	Double acting

Type of cushioning	External shock absorber
Weight	0.600 Kg

Dimensions



Constructions



Component parts

No.	Description	Material
1	End cover	Aluminium alloy
2	Table	Aluminium alloy
3	Arm	Chrome molybdenum steel
4	Shock absorber holder	Aluminium alloy
5	Hexagon socket head set bolt	Stainless steel
6	Hexagon socket head set bolt	Stainless steel
7	Taper plug	Steel wire
8	Hexagon nut	Steel wire
9	Shock absorber	s

Additional information

Catalogue

[MSQ_EU.pdf](#)