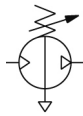


VBA10/11A, Booster Regulator VBA10A-F02G

Datasheet

General series information

- Service life increased.
- Noise reduced.
- Condensation reduced.
- Reliability improved.



Pneumatic booster regulator, handle operated

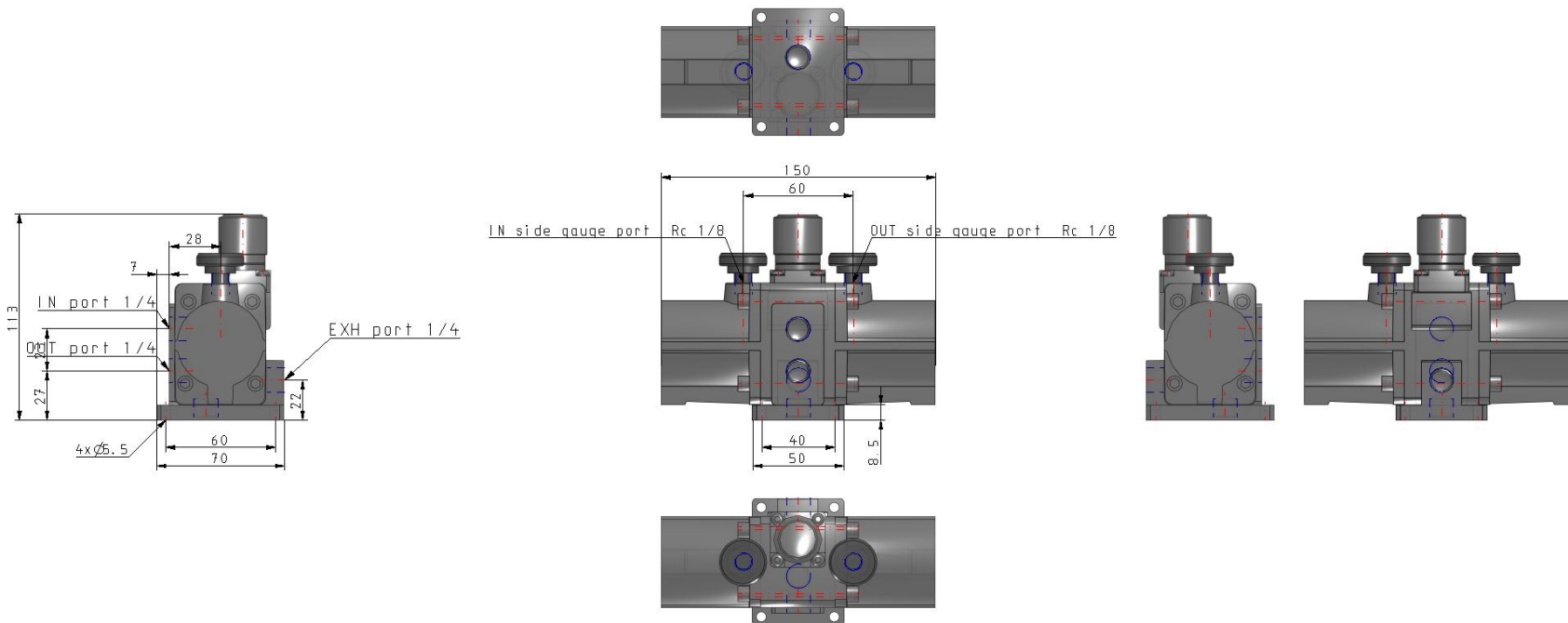
Standard specifications

| | |
|---------------------------------|--|
| Body Size | 10A (1/4, Handle-operated Type, Pressure Increase Ratio Twice) |
| Thread Type | F (G [PF]) |
| Option | G (Pressure Gauge [2 pcs.]) |
| Semi-standard | Standard |
| Pressure medium | Compressed Air |
| Maximum operating pressure | 1.0 MPa |
| Minimum operating pressure | 0.1 MPa |
| Proof pressure | 3.0 MPa |
| Maximum ambient temperature | 50 °C |
| Minimum ambient temperature | 2 °C (No freezing) |
| Approvals | No need |
| Number of pneumatic connections | 3 pcs. |
| Set pressure range | 0.2 to 2.0 MPa |
| Port size | Rc 1/4 |
| Pressure increase ratio | Twice |
| Pressure adjustment mechanism | Handle-operated with relief mechanism |
| Max. Flow rate (l/min (ANR)) | 230 (l/min (ANR)) |
| Supply pressure range (MPa) | 0.1 to 1.0 MPa |

| | |
|---|-------------------|
| Pressure gauge port size (Rc) (IN/OUT: 2 locations) | Rc 1/8 |
| Installation | Horizontal |
| Lubrication | Grease (Non-lube) |
| Weight | 0.840 Kg |

Specifications are subject to change without prior notice and any obligation on the part of the manufacturer.

Dimensions



Additional information

| | |
|-------------------|--|
| Catalogue | VBA-VBAT-Dd_EU.pdf |
| Operation manuals | OM_VBA-OM-L007_EN-E.pdf OM_VBA-MM-N016-E_EN.pdf OM_VBA10A_N010EN-E.pdf |