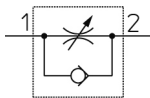


Elbow - AS*2*0 AS1200-M5

Datasheet

General series information

- Port Size: M3, M5, 10-32 UNF, 1/8, 1/4, 3/8, 1/2
- Operating Pressure Range: 0.1 to 1 MPa.

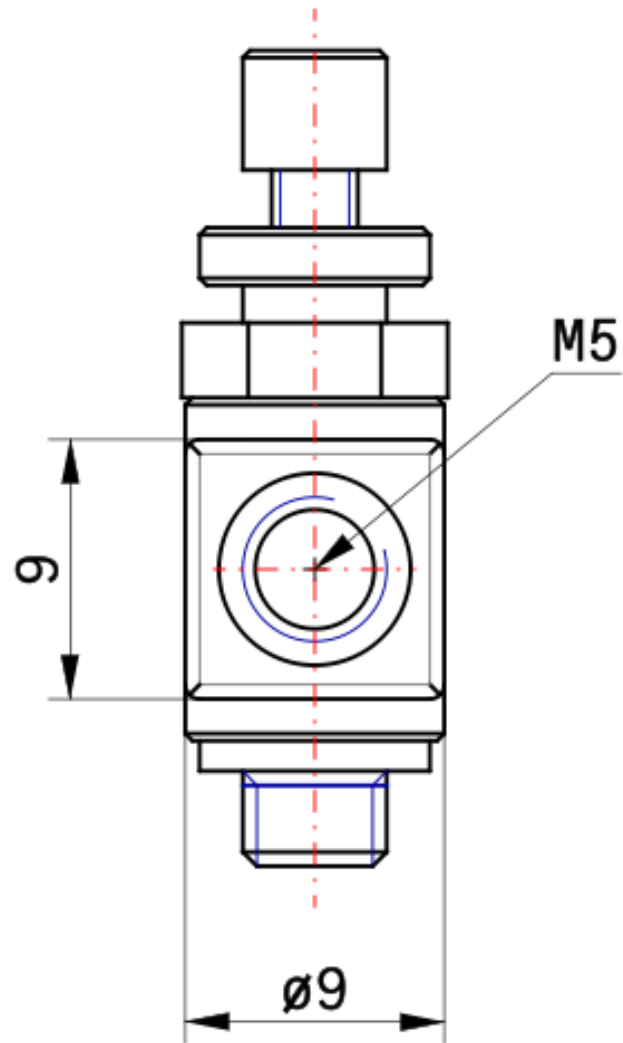


Flow control valve, adjustable, with reverse free flow

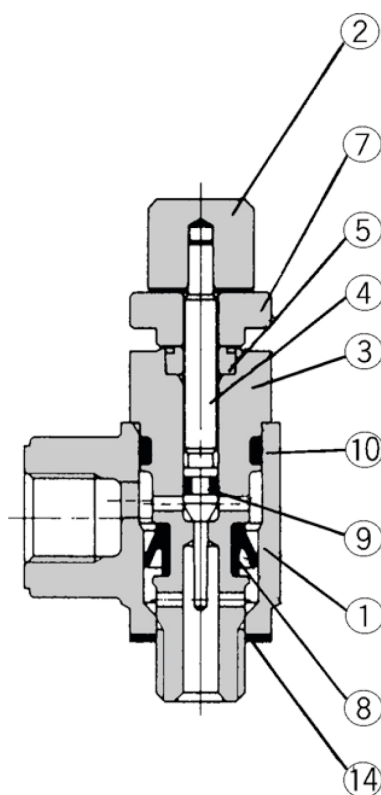
Standard specifications

Size	1 (M3, M5 Basis)
Style	2 (Elbow)
Control Method	0 (Meter-out)
Thread	Rc (Metric M3, M5; Unified 10-32UNF)
Port Size	M5 (M5X0.8)
Option	None
Made to Order	None
Lock Nut	Standard (Hexagon)
Pressure medium	Air
Maximum operating pressure	1 MPa
Minimum operating pressure	0.1 MPa
Proof pressure	1.5 MPa
Maximum ambient temperature	60 °C
Minimum ambient temperature	-5 °C
Weight	0.010 Kg

Dimensions



Constructions



Component Parts

No.	Description	Material	Note
①	Body A	Zinc alloy	
②	Handle	Brass	Electroless nickel plated
③	Body B	Brass	Electroless nickel plated
④	Needle	Brass	Electroless nickel plated
⑤	Needle guide	Brass	Electroless nickel plated
⑦	Lock nut	Steel	
⑧	U-seal	HNBR	Zinc chromated ⁽²⁾
⑨	O ring	NBR	
⑩	O ring	NBR	
⑭	Gasket	PVC	M3 type
		NBR, Stainless steel	M5, U10/32 types

Note 2) Meter-in type: Black zinc chromated

Additional information

Catalogue

[AS_2_0-A_EU.pdf](#)