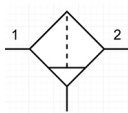


## AF20-D to AF60-D, Air Filter AF20-F02-D

### Datasheet

### General series information

- ISO 8573-1:2010 compliant
- Nominal filtration rating 5 µm
- Maximum flow rate up to 12500 l/min (ANR, 0.7MPa).



Filter with drain

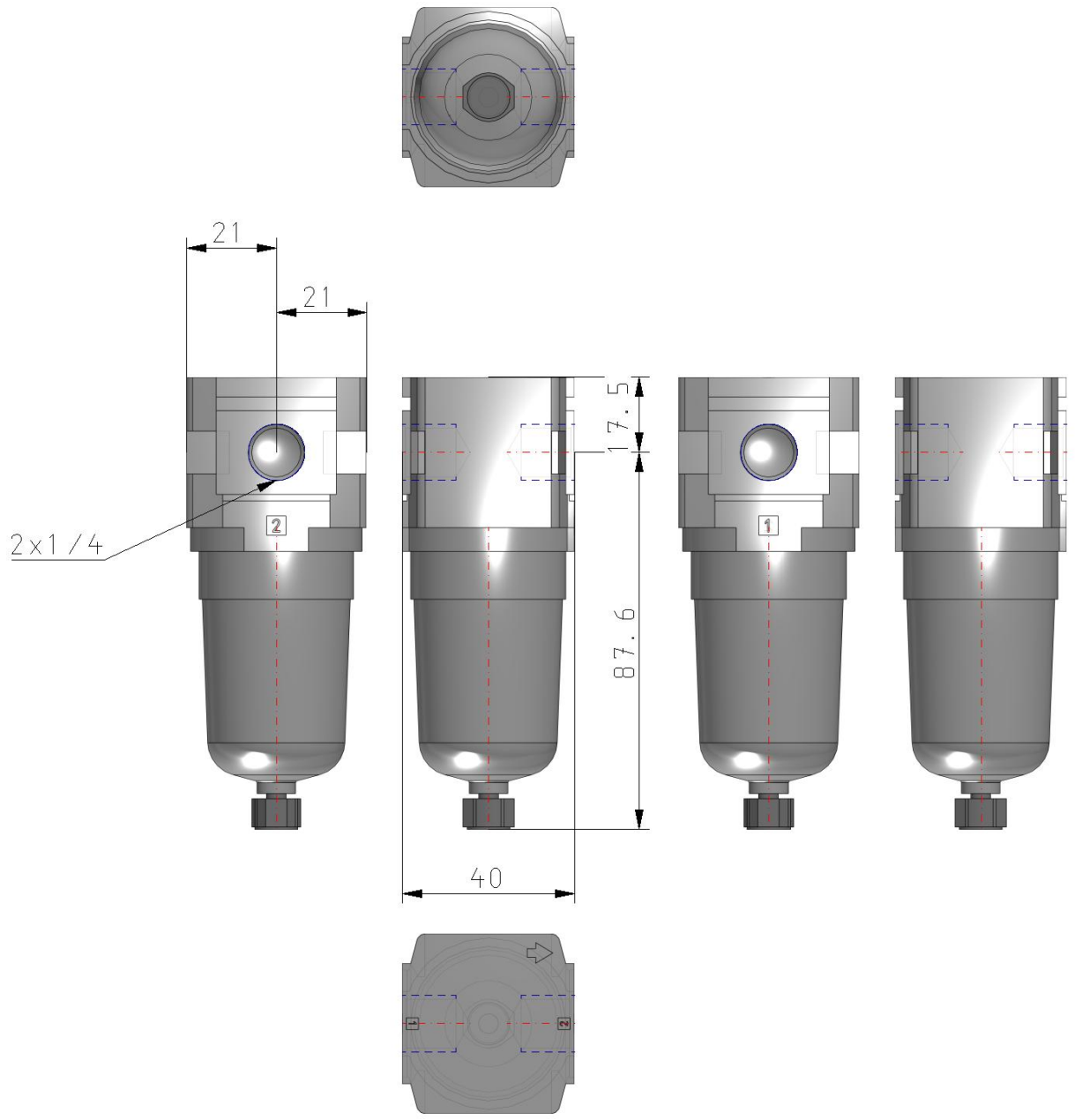
### Standard specifications

Body Size	20
Thread	F (G)
Port Size	02 (1/4)
Mounting	Standard
Float type auto drain	Without Auto drain
Bowl type	Standard (Polycarbonate Bowl)
Drain Port	Standard
Flow Direction	Left to Right
Drain Cock w/Barb Fitting	None
Pressure Unit	Name Plate and Pressure Gauge: MPa
Air purity class	[6:8:4]
Pressure medium	Air
Maximum temperature of pressure medium	60 °C
Minimum temperature of pressure medium	-5 °C (with no freezing)
Maximum operating pressure	1.0 MPa
Minimum operating pressure	0.05 MPa
Proof pressure	1.5 MPa
Maximum ambient temperature	60 °C
Minimum ambient temperature	-5 °C (with no freezing)
Conform to the European RoHS Directive	Conform

Bowl Material	Polycarbonate
Bowl Guard	Steel
Drain Capacity	8 cm
Element nominal filtration rating	5 ?m
ISO 8573 compliant	Yes
Max. Flow rate (inlet pressure = 1.0 MPa)	1500 l/min
Weight	0.090 Kg

Specifications are subject to change without prior notice and any obligation on the part of the manufacturer.

# Dimensions



Specifications are subject to change without prior notice and any obligation on the part of the manufacturer.

## Additional information

Catalogue

[ACD-D\\_EU.pdf](#)

Operation manuals

[OM\\_AF20-60-D\\_OMX0052EN-D.pdf](#)