

Elbow - AS*2*1F AS3211F-03-12S

Datasheet

General series information

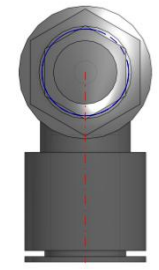
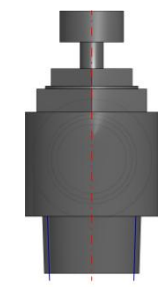
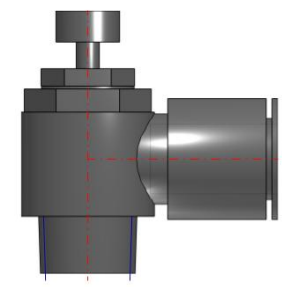
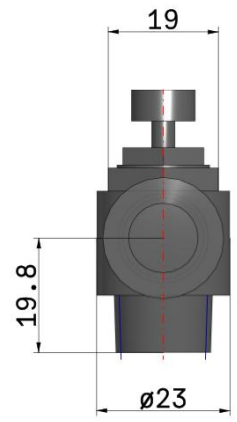
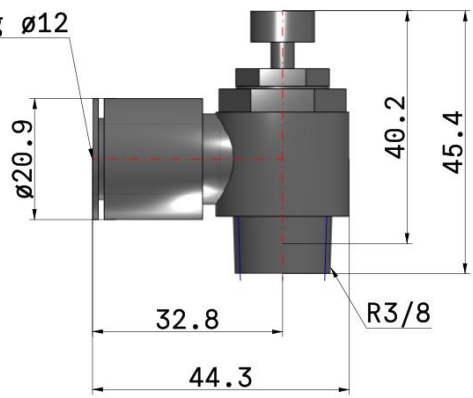
- Port Size: M3, M5, 10-32 UNF, 1/8, 1/4, 3/8, 1/2
- Applicable Tubing O.D.: Ø 2 to Ø 12 mm and Ø 1/8" to Ø 1/2"
- Operating Pressure Range: 0.1 to 1 MPa.

Standard specifications

Size	3 (3/8 Basis)
Style	2 (Elbow)
Control Method	1 (Meter-in)
Thread	M3, M5, U10/32, Rc
Port Size	03 (3/8)
Tube Size	Ø12
Option	S (Sealant)
Fixed Orifice	None
Made to Order	None
Lock Nut	Standard (Hexagon)
Weight	0.060 Kg

Dimensions

Applicable tubing $\varnothing 12$



Additional information

Catalogue

[AS_2-3_1F-A_EU.pdf](#)

Operation manuals

[OM_ASx2x1F_OMG0107EN-B.pdf](#)