

C(D)UK, Free Mount Cylinder, Non-rotating, Double Acting CDUK20-30D

Datasheet

General series information

- Bore sizes from 6mm to 32mm available
- Stroke lengths up to 50mm
- Non-rotating Rod
- Double acting
- Auto-switch capable



Double-acting cylinder, non-rotating single piston rod

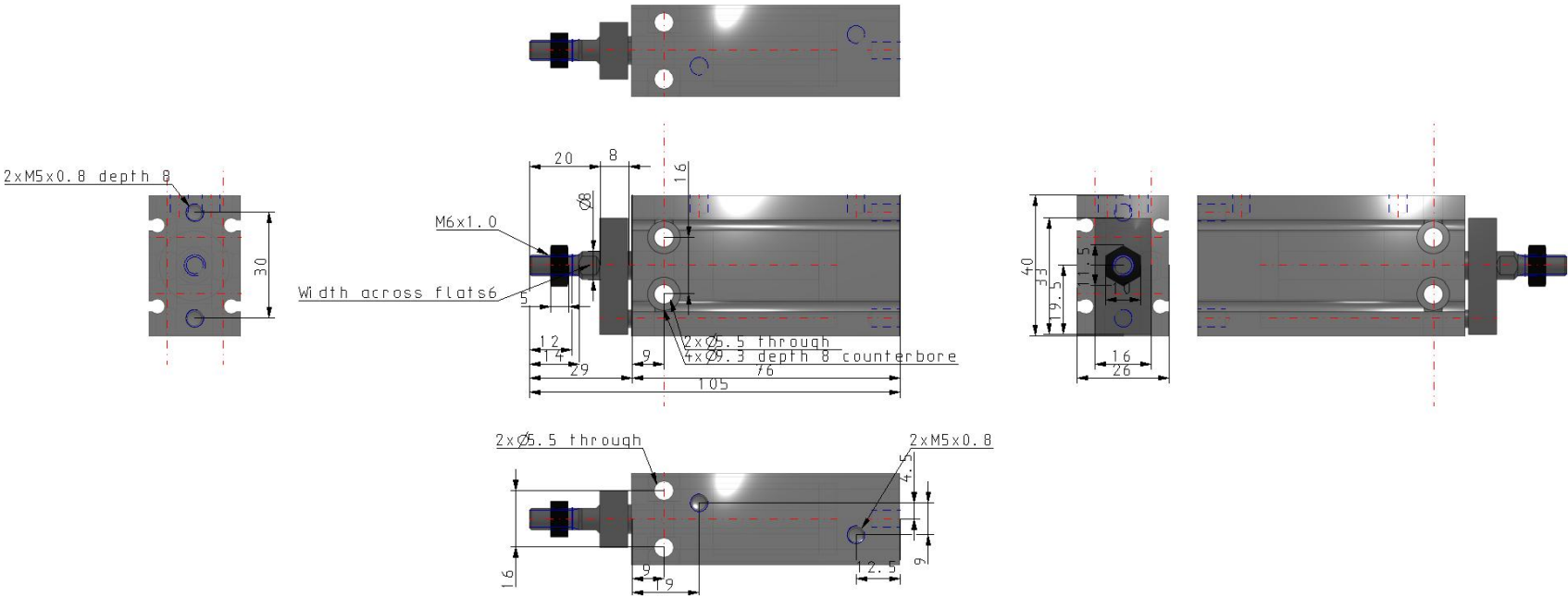
Standard specifications

| | |
|---------------------------------|---|
| Magnet | D (Built-in Magnet) |
| Bore Size | 20 mm |
| Stroke | 30 mm |
| Auto Switch | No Switch |
| Lead Wire or Prewired Connector | 0.5m (Or None in the Case of No Switch) |
| Number | 2 pcs. (Or None in the Case of No Switch) |
| Maximum operating pressure | 0.7 MPa |
| Minimum operating pressure | 0.08 MPa |
| Proof pressure | 1.05 MPa |
| Type of cushioning | Rubber Bumper |
| Piston rod end | Male Thread |
| Lubrication | Non-lube |
| Fluid | Air |
| Rod non-rotating accuracy | ±0.5 |
| Ambient and fluid temperature | -10 - 60 °C |
| Stroke length tolerance | 0+1.0 mm |
| Thread Tolerance | JIS Class2 |
| Piston speed | 50 - 500 mm/s |

Weight

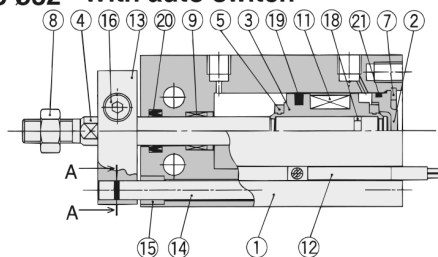
0.172 Kg

Dimensions



Constructions

ø16 to ø32 With auto switch



Component Parts

| No. | Description | Material | Note |
|-----|---------------|--------------------------------|--------------------------------------|
| 1 | Cylinder tube | Aluminum alloy | Hard anodized |
| 2 | Head cover | Brass | ø6 to ø10, Electroless nickel plated |
| | | Aluminum alloy | ø16 to ø32, Clear chromated |
| 3 | Piston | Brass | ø6 to ø10, |
| | | Aluminum alloy | ø16 to ø32, Chromated |
| 4 | Piston rod | Stainless steel | |
| 5 | Bumper A | Urethane | |
| 6 | Bumper B | Urethane | |
| 7 | Snap ring | Carbon tool steel | Phosphate coated |
| 8 | Rod end nut | Carbon steel | Nickel plated |
| 9 | Bushing | Oil-impregnated sintered alloy | |
| 10 | Magnet holder | Brass | ø6 |

Component Parts

| No. | Description | Material | Note |
|-----|-------------------------------|--------------------------------|----------------------|
| 11 | Magnet | Magnetic material | |
| 12 | Auto switch | — | |
| 13 | Non-rotating plate | Aluminum alloy | Nickel plated |
| 14 | Guide rod | Stainless steel | |
| 15 | Bushing | Oil-impregnated sintered alloy | |
| 16 | Hexagon socket head cap screw | Carbon steel | Black zinc chromated |
| 17 | Hexagon socket head set screw | Carbon steel | Black zinc chromated |
| 18 | Piston gasket | NBR | |
| 19* | Piston seal | | |
| 20* | Rod seal | | |
| 21* | Gasket | | |

Additional information

Catalogue

[CU_B_EU.pdf](#)

Operation manuals

[OM_CU_OM0002EN-A.pdf](#)