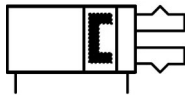


With Dust Cover - MHZJ2 MHZJ2-20D

Datasheet

General series information

- Maximum gripping force per finger 104 N at 0.5 MPa
- Double acting and single acting
- Repeatability: ± 0.01 mm
- Max. operating frequency: 120 c.p.m.



Gripper, internal grip, double-acting with permanent magnet on piston

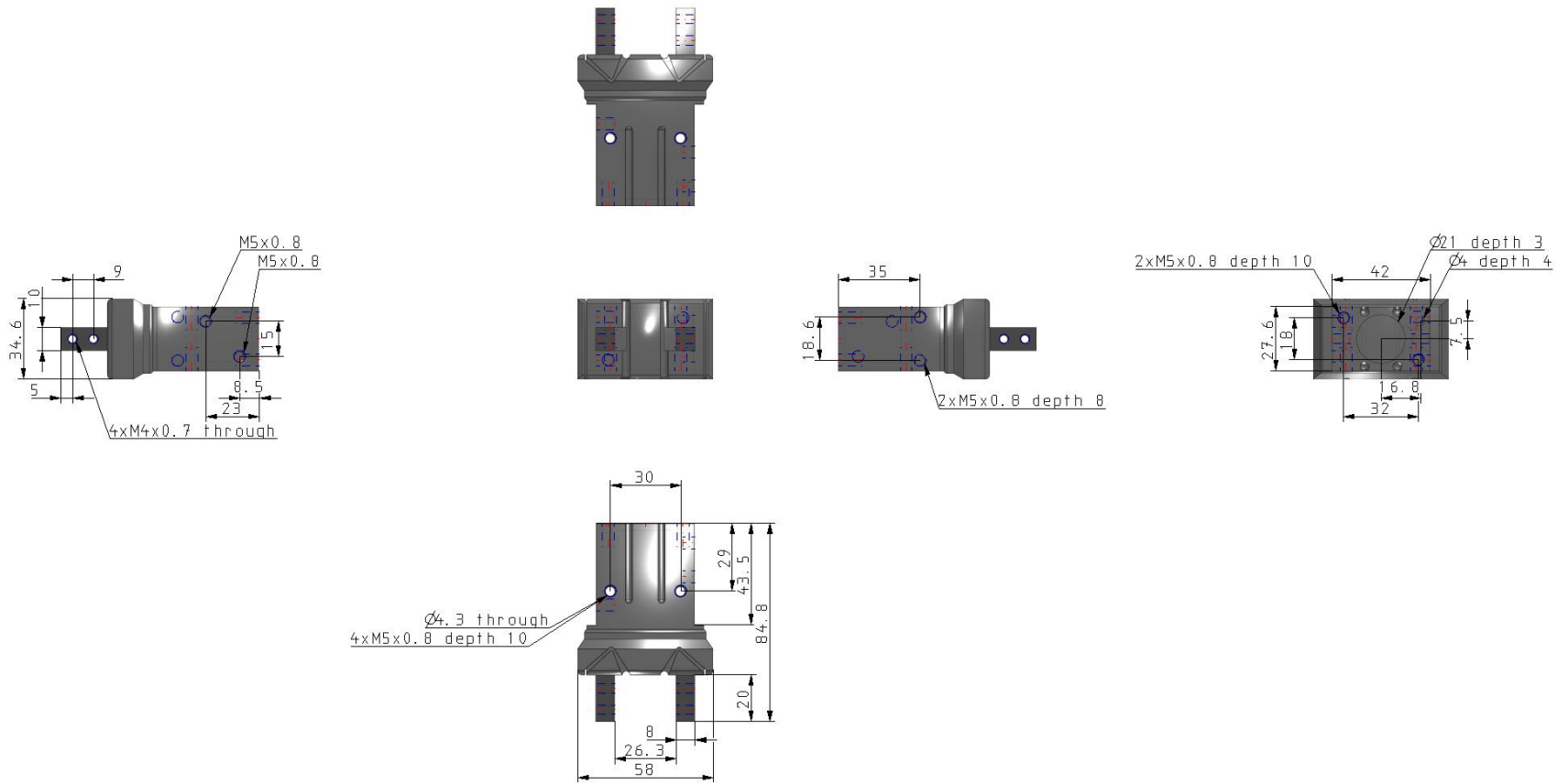
Standard specifications

Bore Size	20mm
Action	D (Double Acting)
Body Option	Basic Style
Dust Cover	Chloroprene Rubber (CR)
Auto Switch	No Switch
Lead Wire or Prewired Connector	0.5m (Or None in the Case of No Switch)
Number	2 pcs. (Or None in the Case of No Switch)
Maximum operating pressure	0.7 MPa
Minimum operating pressure	0.1 MPa
Maximum ambient temperature	60 °C
Minimum ambient temperature	-10 °C
Repeatability	± 0.01 mm
Weight	250 g
Lubrication	Non-lube
Effective holding force per finger, external (0.5 MPa)	42 N
Effective holding force per finger, internal (0.5 MPa)	66 N
Fluid	Air
Max. operating frequency	180 c.p.m.
Stroke per gripper jaw	10 mm

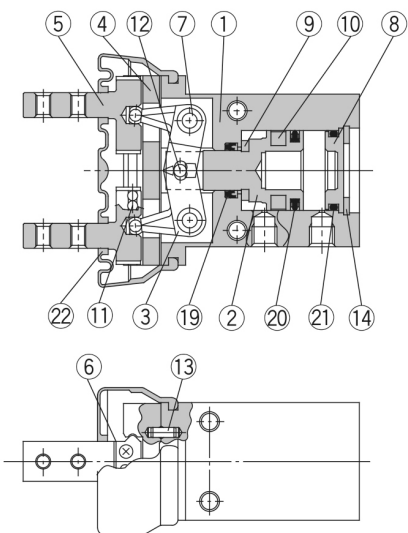
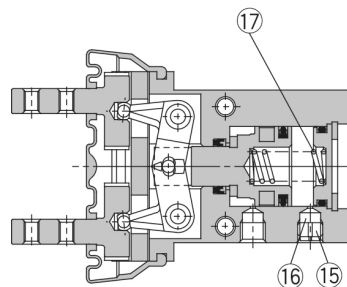
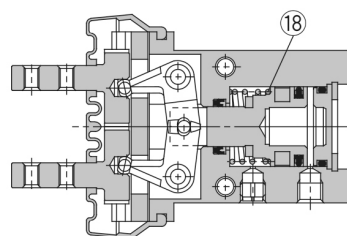
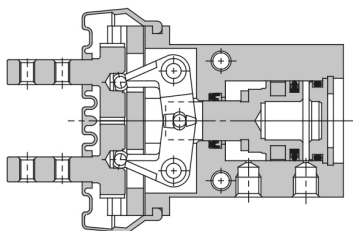
Weight

0.250 Kg

Dimensions



Specifications are subject to change without prior notice and any obligation on the part of the manufacturer.

Double acting/with fingers open

Single acting/normally open

Single acting/normally closed

Double acting/with fingers closed

Parts list

No.	Description	Material	Note
1	Body	Aluminum alloy	Hard anodized
2	Piston	ø10, ø16: Stainless steel ø20, ø25: Aluminum alloy	ø20, ø25: Hard anodized
3	Lever	Stainless steel	Heat treated
4	Guide	Stainless steel	Heat treated
5	Finger	Stainless steel	Heat treated
6	Roller stopper	Stainless steel	
7	Lever shaft	Stainless steel	Nitrided
8	Cap	Aluminum alloy	Hard anodized
9	Bumper	Urethane rubber	
10	Rubber magnet	Synthetic rubber	
11	Steel balls	High carbon chromium bearing steel	
12	Needle roller	High carbon chromium bearing steel	
13	Parallel pin	Stainless steel	
14	C type snap ring	Carbon steel	Nickel plated
15	Exhaust plug A	Brass	Electroless nickel plated
16	Exhaust filter A	Polyvinyl formal	
17	N.O. spring	Stainless steel spring wire	
18	N.C. spring	Stainless steel spring wire	
19	Rod seal	NBR	
20	Piston seal	NBR	
21	Gasket	NBR	
22	Dust cover	CR	Chloroprene rubber
		FKM	Fluoro rubber
		Si	Silicon rubber

Additional information

Catalogue

[MHZ_EU.pdf](#)

Operation manuals

[OM_MHZJ2_OMC0050EN-A.pdf](#)

[OM_MHZ2_OMD0047EN-A.pdf](#)