



## 5/2, 5/3 SOLENOID VALVE 1/8 PORTED SERIES SY5000

- ✓ High flow characteristics - CV 0.7
- ✓ Lower power consumption - 0.5 watt
- ✓ Compact and lightweight design - body width 15 mm
- ✓ Fast response time - <15ms
- ✓ Internal one touch fittings option
- ✓ High life expectancy - > 50 million cycles
- ✓ Body port or sub base mounted available

### TECHNICAL SPECIFICATIONS

Fluid ..... Air. Lubrication not required  
 Operating Pressure ..... 5/2 single solenoid ..... 1,5 - 7 bar  
 ..... 5/2 double solenoid ..... 1.0 - 7 bar  
 ..... 5/3 Position ..... 2.0 - 7 bar  
 Ambient and fluid temperature (°C) ..... max 50  
 Response time (ms) ..... 5/2 position ..... <14\*  
 ..... 5/3 position ..... <22  
 Max. operating frequency (Hz) ... 5/2 position ..... max 5  
 ..... 5/3 position ..... max 3  
 Manual override ..... non locking type  
 Pilot exhaust ..... common  
 Mounting position ..... free  
 Electrical entry ..... connector 2 wires  
 Coil voltage ..... 24V DC  
 Allowable voltage ..... ±10%  
 Enclosure ..... IP50  
 Isolation ..... E  
 Power consumption ..... 0.5 W DC  
 ..... 0.55 W DC w. LED  
 Surge voltage suppressor ..... Option 'Z'  
 Indicator lamp ..... LED

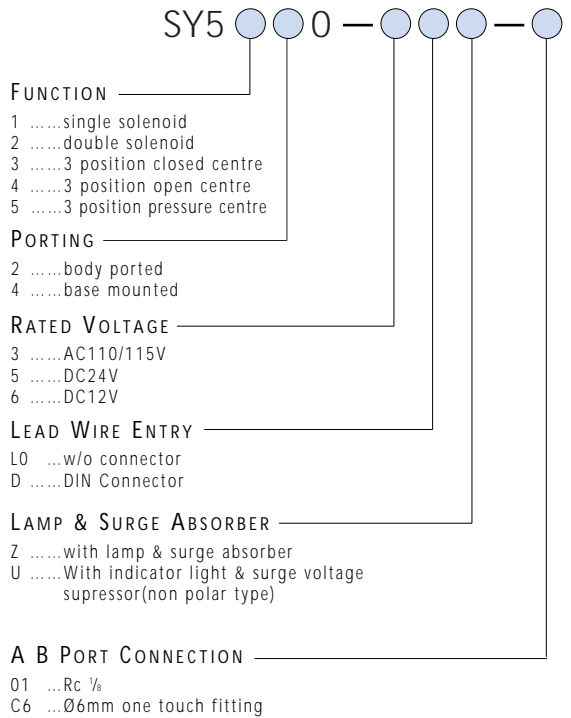
\*@ 5 bar supply pressure

Model: Base Mounted Type					
Valve model	Position	Symbol	Port size A:B	Cv	Weight (g)
SY5140	5/2 single solenoid		Manifold Mounted	0.71	55
SY5240	5/2 double solenoid		Manifold Mounted	0.71	70
SY5340	5/3 position C.C.		Manifold Mounted	0.42	76
SY5440	5/3 position C. O.		Manifold Mounted	0.44	76

Model: Body Ported Type					
Valve model	Position	Symbol	Port size A:B	Cv	Weight (g)
SY5120	5/2 single solenoid		Rc 1/8	0.51	62
SY5220	5/2 double solenoid		Rc 1/8	0.51	77
SY5320	5/3 position C.C.		Rc 1/8	0.41	83
SY5420	5/3 position C. O.		Rc 1/8	0.42	83

### HOW TO ORDER

#### SOLENOID VALVE SERIES SY5000



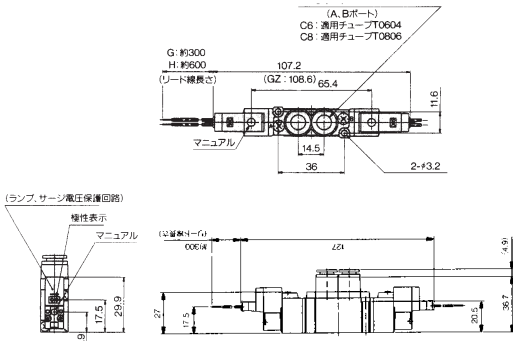
### STOCKED PRODUCTS

FOR A LIST OF STOCKED PRODUCTS,  
PLEASE SEE THE CURRENT SMC PRICE LIST

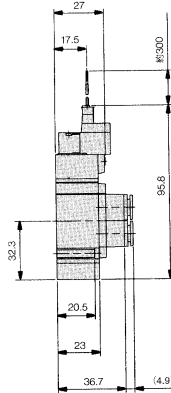
ACCESSORIES  
SEE NEXT PAGE

DIMENSIONS  
SEE NEXT PAGE

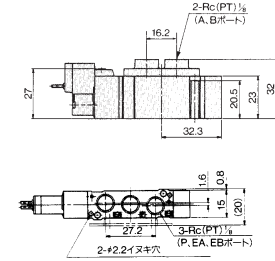
**DIMENSIONS**  
SY5000 BODY PORTED  
SY5220-5LOZ-C6,C8



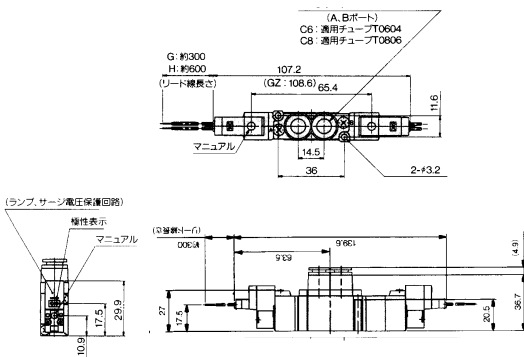
**DIMENSIONS**  
SY5000 BODY PORTED  
SY5120-5LOZ-C6,C8



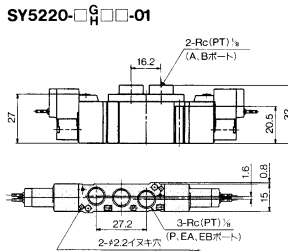
**DIMENSIONS**  
SY5000 BODY PORTED  
SY5120-5•••-01



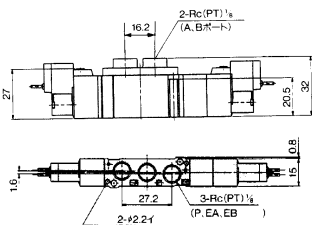
**DIMENSIONS**  
SY5000 BODY PORTED  
SY5320-5LOZ-C6,C8 / SY5420-5LOZ-C6,C8



**DIMENSIONS**  
SY5000 BODY PORTED  
SY5220-5•••-01



**DIMENSIONS**  
SY5000 BODY PORTED  
SY5320-5•••-01



**ACCESSORIES**  
SERIES SY5000 SUB-BASE MOUNTED

- Blanking Plate with gasket and screws .....SY5000-26-2A
- Exhaust Spacer with gasket and screws.....SY5000-39-2A
- Supply Spacer with gasket and screws .....SY5000-38-2A
- Connector Assembly with Cover (3m) .....VJ10-51-A-30
- Single Sub-base .....SY5000-27-1

**ACCESSORIES**  
SERIES SY5000 BODY PORTED

- Porting Block Assembly (1/4) .....SY5000-6A-01
- Porting Block Assembly (6mm) .....SY5000-6A-C6
- Porting Block Assembly (8mm) .....SY5000-6A-C8
- Side Mounting Bracket.....SX5000-16-1A
- Connector Assembly with Cover (3m) .....VJ10-51-A-30

**STOCKED PRODUCTS**  
FOR A LIST OF STOCKED PRODUCTS,  
PLEASE SEE THE CURRENT SMC PRICE LIST

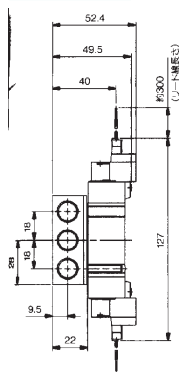


SEE INSIDE FRONT COVER FOR  
DETAILS OF YOUR LOCAL SALES OFFICE

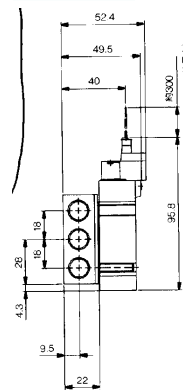


FOR FURTHER TECHNICAL  
DETAILS ON THIS  
PRODUCT CONTACT  
YOUR LOCAL REGIONAL  
CENTRE

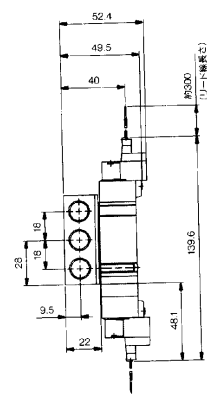
**DIMENSIONS**  
SY5000 SINGLE SUB-BASE  
SY5240-5LOZ



**DIMENSIONS**  
SY5000 SINGLE SUB-BASE  
SY5140-5LOZ



**DIMENSIONS**  
SY5000 SINGLE SUB-BASE  
SY5340-5LOZ / SY5440-5LOZ



FOR FURTHER TECHNICAL  
DETAILS ON THIS  
PRODUCT CONTACT  
YOUR LOCAL REGIONAL  
CENTRE