

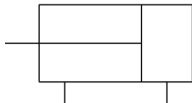
## C(D)Q2, Compact Cylinder, Double Acting, Single Rod w/Auto Switch Mounting Groove

### CQ2B25-40D

Datasheet

### General series information

- Double acting, single rod, compact cylinder
- Bore sizes (mm): 12, 16, 20, 25, 32, 40, 50, 63, 80, 100
- Standard stroke range (mm): 5 to 100
- Port threads: M (12 to 25 bore); Rc, NPT or G (32 to 100 bore)
- Can mount small auto switches on 4 surfaces.

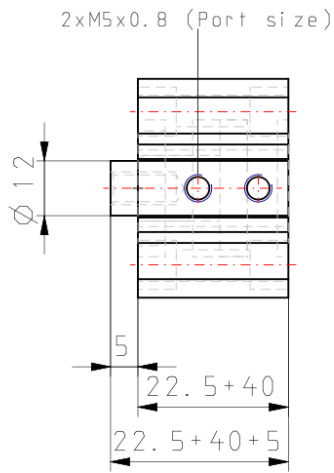
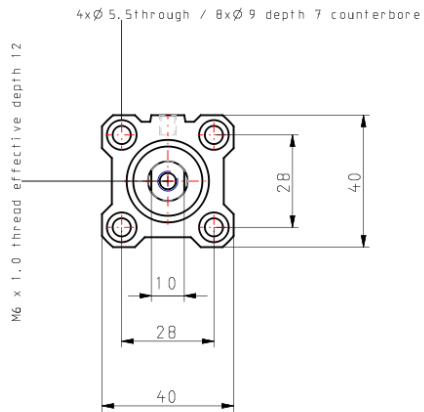


### Standard specifications

|                                 |  |
|---------------------------------|--|
| Magnet                          | None   |
| Mounting                        | B (Through Hole [Standard])                        |
| Type                            | Standard   |
| Bore Size                       | Ø25 mm   |
| Port Thread Type                | Rc (or M Thread for 16 & 20 Bore or 32 stroke 5mm) |
| Lube-retainer                   | Without Stable Lubrication Function                |
| Stroke                          | 40   |
| Body Option                     | Standard [Rod End Female Thread]                   |
| Auto Switch Groove              | None, also for 12-25 Bore w/o Magnet               |
| Mounting Bolt                   | None   |
| Rod End Bracket                 | None   |
| Auto Switch                     | No Switch  |
| Lead Wire or Prewired Connector | 0.5 m or None in the Case of No Switch             |
| Number                          | 2 pcs.   |
| Rod End Options                 | None   |
| Temperature Resistance          | None   |
| Low Speed                       | None   |
| Made of Stainless Steel         | None   |

|   |                |
|---|----------------|
| Fluororubber Seal                                       | None           |
| Pressure medium   | Compressed air |
| Maximum temperature of pressure medium                  | 70 °C          |
| Minimum temperature of pressure medium                  | -10 °C         |
| Maximum operating pressure                              | 1.0 MPa        |
| Minimum operating pressure                              | 0,05 Mpa       |
| Proof pressure  | 1.5 MPa        |
| Maximum ambient temperature                             | 70 °C          |
| Minimum ambient temperature                             | -10 °C         |
| Number of pneumatic connections                         | 2 pcs.         |
| Pneumatic input connection                              | M5             |
| Mode of operation of drive                              | Double acting  |
| Theoretical cylinder force, advance stroke (at 0.5 MPa) | 245 N          |
| Theoretical cylinder force, return stroke (at 0.5 MPa)  | 189 N          |
| Maximum piston speed                                    | 500 mm/s       |
| Geometric form of the piston rod                        | Single rod     |
| Male thread of rod end                                  | M10 x 1.25     |
| Female thread of rod end                                | M6 x 1.0       |
| Minimum piston speed                                    | 50 mm/s        |
| Weight  | 0.187 Kg       |

## Dimensions



## Constructions



### Component Parts

| No. | Description           | Material              | Note                            |
|-----|-----------------------|-----------------------|---------------------------------|
| 1   | <b>Cylinder tube</b>  | Aluminum alloy        | Hard anodised                   |
| 2   | <b>Piston</b>         | Aluminum alloy        | Chromated                       |
| 3   | <b>Piston rod</b>     | Stainless steel       | ø12 to ø25                      |
|     |                       | Carbon steel          | ø32 to ø100, Hard chrome plated |
| 4   | <b>Collar</b>         | Aluminum alloy        | ø12 to ø40, Anodised            |
|     |                       | Aluminum alloy casted | ø50 to ø100, Chromated, Painted |
| 5   | <b>Retaining ring</b> | Carbon tool steel     | Phosphate coated                |
| 6   | <b>Bushing</b>        | Bearing alloy         | For ø50 or more only            |
| 7   | <b>Magnet</b>         | —                     |                                 |
| 8   | <b>Piston seal</b>    | NBR                   |                                 |
| 9   | <b>Rod seal</b>       | NBR                   |                                 |
| 10  | <b>Gasket</b>         | NBR                   |                                 |

### Replacement Parts/Seal Kit (Pneumatic type)

| Bore size (mm) | Kit no.    | Contents                                   |
|----------------|------------|--|
| 12             | CQ2B12-PS  | Kits include items ⑧, ⑨, ⑩ from the table. |
| 16             | CQ2B16-PS  |  |
| 20             | CQ2B20-PS  |  |
| 25             | CQ2B25-PS  |  |
| 32             | CQ2B32-PS  |  |
| 40             | CQ2B40-PS  |  |
| 50             | CQ2B50-PS  |  |
| 63             | CQ2B63-PS  |  |
| 80             | CQ2B80-PS  |  |
| 100            | CQ2B100-PS |  |

### Replacement Parts/Seal Kit (Air-hydro type)

| Bore size (mm) | Kit no.     | Contents                                   |
|----------------|-------------|--|
| 20             | CQ2BH20-PS  | Kits include items ⑧, ⑨, ⑩ from the table. |
| 25             | CQ2BH25-PS  |  |
| 32             | CQ2BH32-PS  |  |
| 40             | CQ2BH40-PS  |  |
| 50             | CQ2BH50-PS  |  |
| 63             | CQ2BH63-PS  |  |
| 80             | CQ2BH80-PS  |  |
| 100            | CQ2BH100-PS |  |

\* Seal kit includes ⑧, ⑨, ⑩. Order the seal kit, based on each bore size.

\* Since the seal kit does not include a grease pack, order it separately.

**Grease pack part no.: GR-S-010 (10 g)**

\* Seal kit includes ⑧, ⑨, ⑩. Order the seal kit, based on each bore size.

\* Since the seal kit does not include a grease pack, order it separately.

**Grease pack part no.: GR-S-010 (10 g)**

## Additional information

Catalogue

[CQ2-Z-C\\_EU.pdf](#)