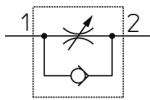


In-line - AS*000 AS3000-02

Datasheet

General series information

- Port Size: M3, M5, 1/8, 1/4, 3/8, 1/2
- Operating Pressure Range: 0.05 to 1 MPa.

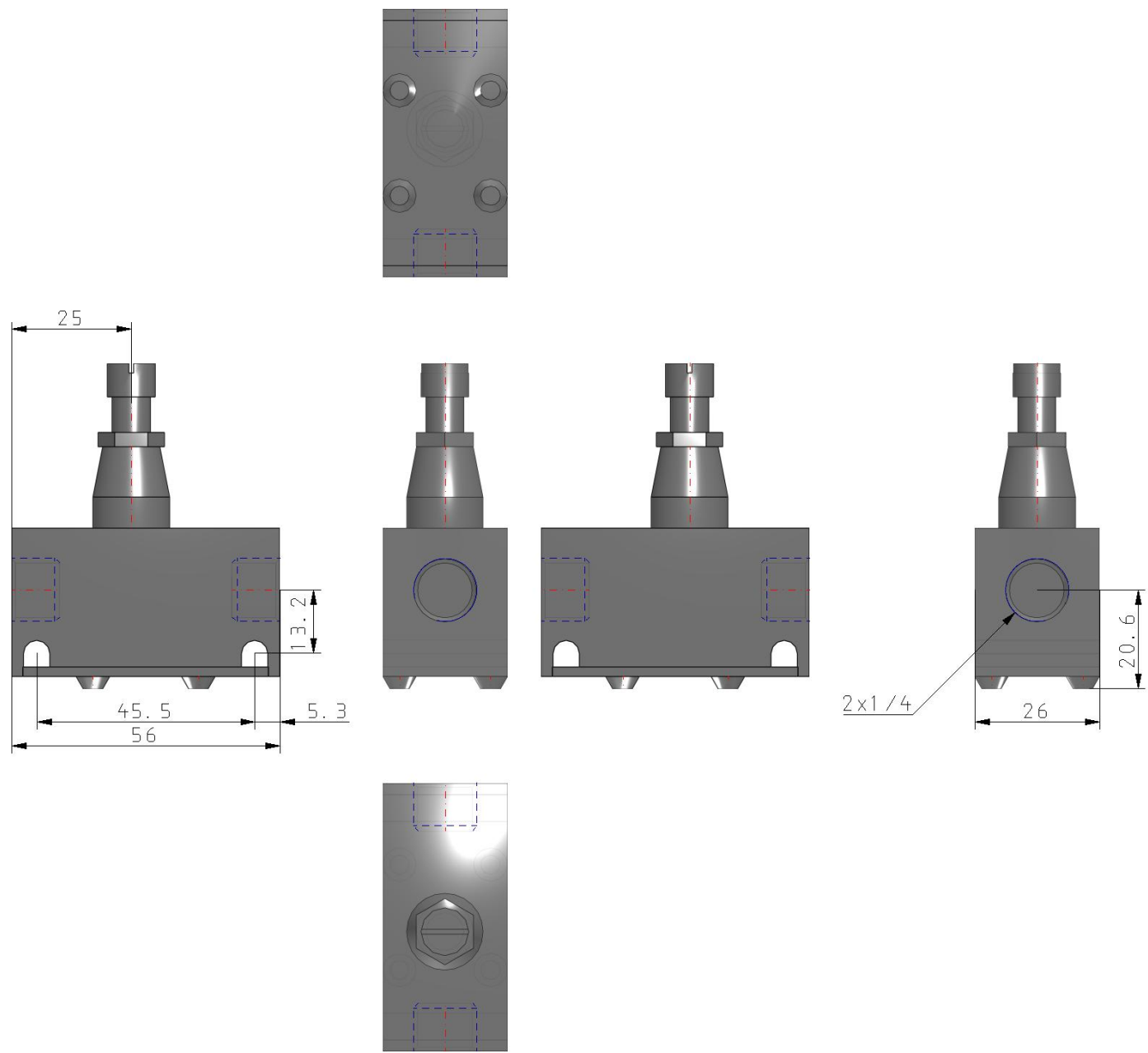


Flow control valve, adjustable, with reverse free flow

Standard specifications

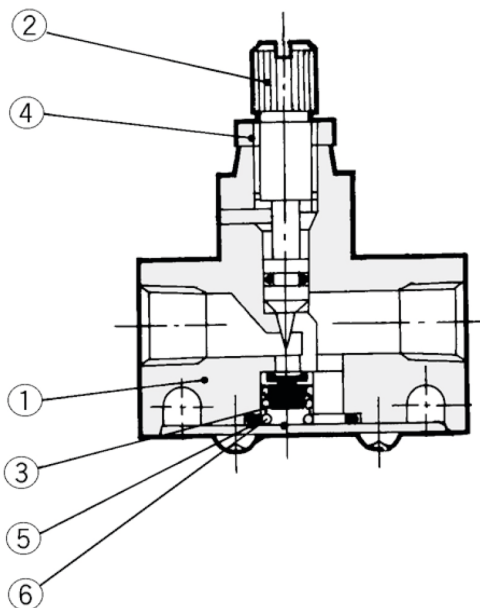
Size	3 (3/8 Basis)
Thread	Rc (Metric Thread, M3, M5)
Port Size	02 (1/4)
Option	None
Lock Nut	Standard (Hexagon)
Pressure medium	Air
Maximum operating pressure	1 MPa
Minimum operating pressure	0.05 MPa
Proof pressure	1.5 MPa
Maximum ambient temperature	60 °C
Minimum ambient temperature	-5 °C
Weight	0.130 Kg

Dimensions



Specifications are subject to change without prior notice and any obligation on the part of the manufacturer.

Constructions



Component Parts

No.	Description	Model	
		AS2000	AS3000
①	Body	Zinc alloy	Aluminum alloy
②	Needle*	Brass	Brass
④	Lock nut*	Brass	Carbon steel
③	Valve		
⑤	O ring		
⑥	Spring		

*Electroless nickel plated

Additional information

Catalogue

[AS_000-A_EU.pdf](#)

Operation manuals

[OM_ASx_OMA0069EN-D.pdf](#)