

## MK-Z Rotary Clamp Cylinder, Standard w/Auto Switch Mounting Grooves

### MKB40-20LZ

Datasheet

### General series information

- Length has been reduced in comparison to MK2 and is similar in length to MK.
- Bore sizes (mm): 12, 16, 20, 25, 32, 40, 50, 63
- Compact auto switch D-M9 can be mounted on 4 sides.
- Magnetic field resistant auto switch can be used.
- 2 types of cylinder mounting are available with one body.



Double-acting, single-rod cylinder

### Standard specifications

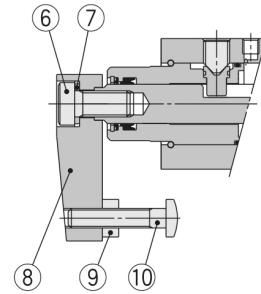
|  |   |
|--|---|
| Mounting   | B (Through-hole/Both Ends Tapped Common, Basic) |
| Bore Size  | Ø40 mm  |
| Port Thread  | M thread: ø12 to ø25, Rc: 32 to 63              |
| Clamp Stroke                                       | 20 mm   |
| Rotary Direction                                   | L (Counterclockwise)                            |
| Body Option  | Standard (Female Thread)                        |
| Auto Switch  | No Switch                                       |
| Lead Wire or Prewired Connector                    | 0.5m [Or None in the Case of No Switch]         |
| Number   | 2 pcs. [Or None in the Case of No Switch]       |
| Made to Order                                      | None  |
| Pressure medium                                    | Air   |
| Maximum temperature of pressure medium             | 70 °C   |
| Maximum temperature of pressure medium with magnet | 60 °C   |
| Minimum temperature of pressure medium             | -10 °C (No freezing)                            |
| Minimum temperature of pressure medium with magnet | -10 °C (No freezing)                            |
| Maximum operating pressure                         | 1.0 MPa   |
| Minimum operating pressure                         | 0.1 MPa   |
| Proof pressure                                     | 1.5 MPa   |

|   |                      |
|---|----------------------|
| Maximum ambient temperature                             | 70 °C                |
| Maximum ambient temperature with magnet                 | 60 °C                |
| Minimum ambient temperature                             | -10 °C (No freezing) |
| Minimum ambient temperature with magnet                 | -10 °C (No freezing) |
| Number of pneumatic connections                         | 2 pcs.               |
| Pneumatic input connection                              | R 1/8                |
| Pneumatic exhaust connection                            | R 1/8                |
| Mode of operation of drive                              | Double acting        |
| Theoretical cylinder force, advance stroke (at 0.5 MPa) | 628 N                |
| Theoretical cylinder force, return stroke (at 0.5 MPa)  | 528 N                |
| Maximum piston speed                                    | 200 mm/s             |
| Type of cushioning                                      | Rubber bumper        |
| Piston rod end  | Female thread        |
| Female thread of rod end                                | M10                  |
| Weight  | 0.640 Kg             |

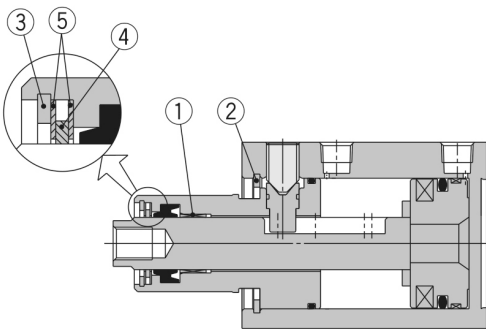


## Constructions

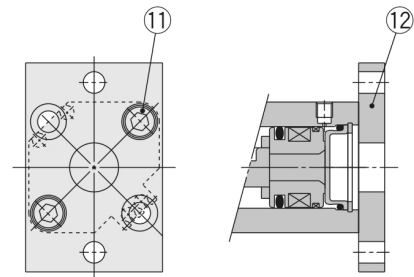
### With arm (N)



### New MK40 to 63



### Head flange (G)



### Component Parts

| No. | Description                          | Material                  | Note        |
|-----|--------------------------------------|---------------------------|-------------|
| 1   | <b>Bushing</b>                       | Copper bearing material   |             |
| 2   | <b>Round R-type retaining ring</b>   | Carbon tool steel         |             |
| 3   | <b>Round R-type retaining ring</b>   | Carbon tool steel         |             |
| 4   | <b>Coil scraper</b>                  | Phosphor bronze           |             |
| 5   | <b>Scraper pressure</b>              | Stainless steel           |             |
| 6   | <b>Hexagon socket head cap screw</b> | Chromium molybdenum steel |             |
| 7   | <b>Spring washer</b>                 | Hard steel                |             |
| 8   | <b>Arm</b>                           | Rolled steel              |             |
| 9   | <b>Hexagon nut</b>                   | Rolled steel              |             |
| 10  | <b>Clamp bolt</b>                    | Chromium molybdenum steel |             |
| 11  | <b>Hexagon socket head cap screw</b> | Chromium molybdenum steel | ø40: 4 pcs. |
| 12  | <b>Flange</b>                        | Rolled steel              |             |

## Additional information

Catalogue

[MK-A\\_EU.pdf](#)