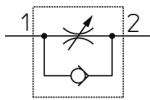


In-line - AS*000 AS1000-M3

Datasheet

General series information

- Port Size: M3, M5, 1/8, 1/4, 3/8, 1/2
- Operating Pressure Range: 0.05 to 1 MPa.

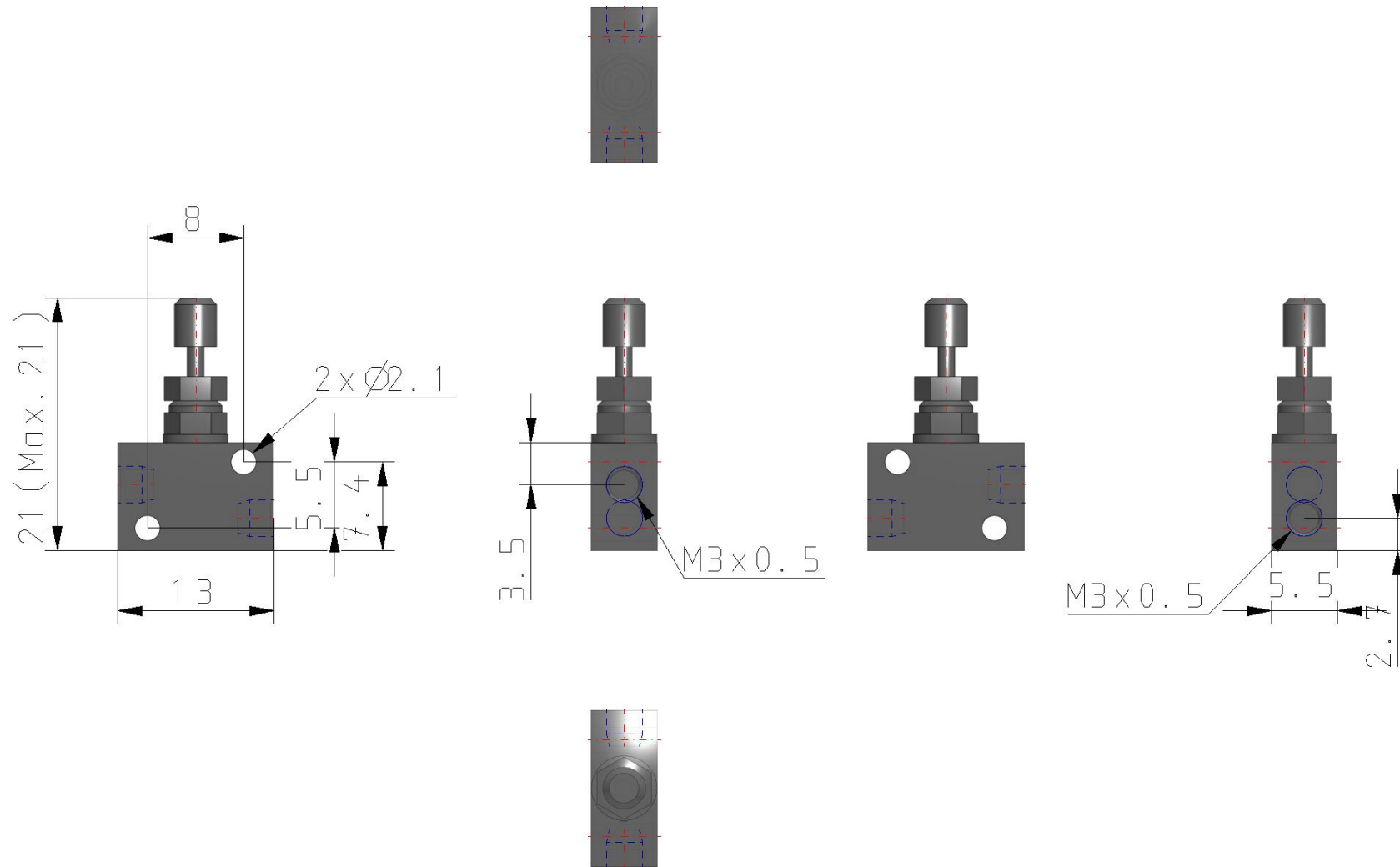


Flow control valve, adjustable, with reverse free flow

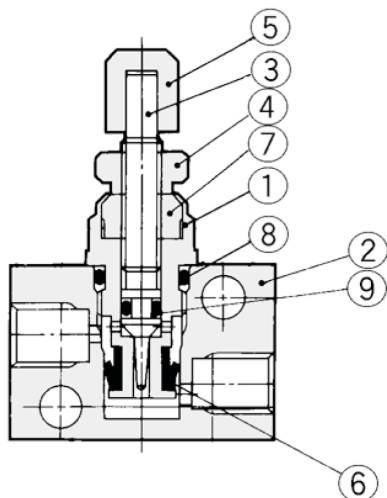
Standard specifications

Size	1 (M3, M5 Basis)
Thread	Rc (Metric Thread, M3, M5)
Port Size	M3 (M3 x 0.5)
Option	None
Lock Nut	Standard (Hexagon)
Pressure medium	Air
Maximum operating pressure	0.7 MPa
Minimum operating pressure	0.1 MPa
Proof pressure	1.05 MPa
Maximum ambient temperature	60 °C
Minimum ambient temperature	-5 °C
Weight	0.004 Kg

Dimensions



Constructions



Component Parts

No.	Description	Material	Note
①	Body B	Brass	Electroless nickel plated
②	Body	Brass	Electroless nickel plated
③	Needle	Brass	Electroless nickel plated
④	Lock nut	Steel	Zinc chromated
⑤	Handle	Brass	Electroless nickel plated
⑥	U seal	HNBR	
⑦	Needle guide	Brass	Electroless nickel plated
⑧	O ring	NBR	4.5 X 3 X 0.75
⑨	O ring	NBR	2.2 X 0.8 X 0.7

Additional information

Catalogue

[AS_000-A_EU.pdf](#)