

## MXQ\*C-Z, Air Slide Table, Single Side Ported Type

### MXQ8C-10Z

Datasheet

### General series information

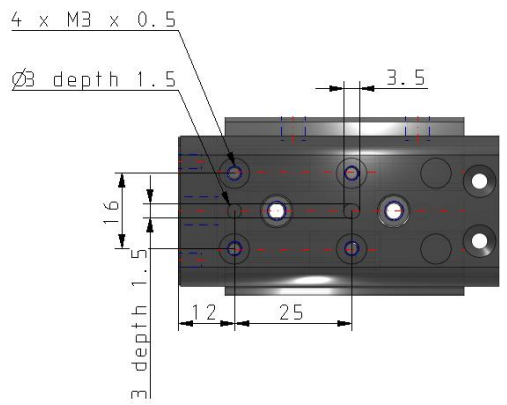
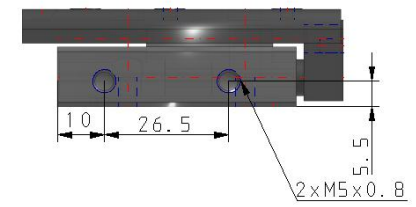
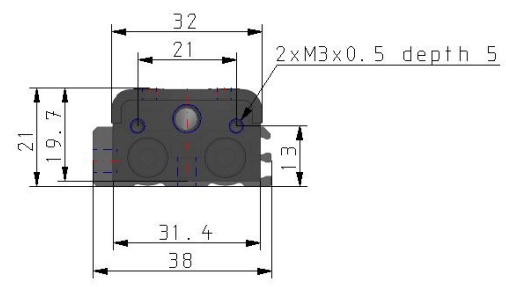
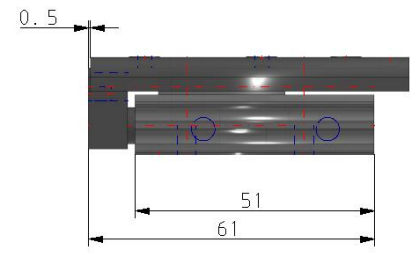
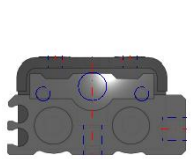
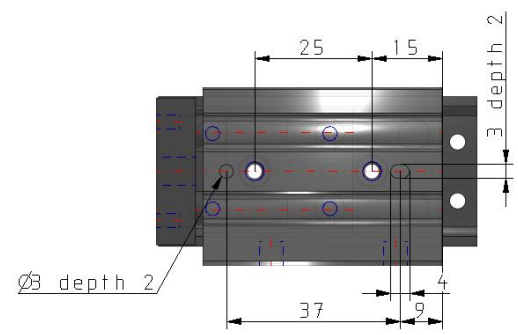
- More compact: High reduced up to 10%.
- Lighter: Weight reduced up to 29%.
- Two switch mounting grooves on one side.
- Auto switch visibility improved.

### Standard specifications

Bore Size	8 mm
Body Option	C (Standard)
Stroke	10 mm
Adjuster Option	Z (Without Adjuster)
Functional Option	Without Functional Option
Auto Switch	No Switch
Lead Wire or Prewired Connector	0.5m (Or None in the Case of No Switch)
Number	2 pcs. (Or None in the Case of No Switch)
Made to Order	None
Pressure medium	Compressed air
Maximum temperature of pressure medium	60 °C
Minimum temperature of pressure medium	-10 °C
Maximum operating pressure	0.7 MPa
Minimum operating pressure	0.15 MPa
Proof pressure	1.05 MPa
Maximum ambient temperature	60 °C
Minimum ambient temperature	-10 °C
Number of pneumatic connections	2 pcs.
Pneumatic input connection	M5 x 0.8

Mode of operation of drive	Double acting
Theoretical cylinder force, advance stroke (at 0.5 MPa)	51 N
Theoretical cylinder force, return stroke (at 0.5 MPa)	38 N
Maximum piston speed	500 mm/s
Type of cushioning	Internal rubber bumper
Weight	0.140 Kg

# Dimensions



Specifications are subject to change without prior notice and any obligation on the part of the manufacturer.

## Additional information

Catalogue

[MXQ-Z-C\\_EU.pdf](#)

Operation manuals

[OM\\_MXQ-Z\\_OMP0038EN-D.pdf](#)