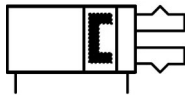


## Standard - MHS3 MHS3-20D

### Datasheet

### General series information

- Maximum gripping force 1320 N at 0.5 MPa
- Double acting
- Repeatability:  $\pm 0.01$  mm
- Max. operating frequency: 120 c.p.m.



*Gripper, internal grip, double-acting with permanent magnet on piston*

### Standard specifications

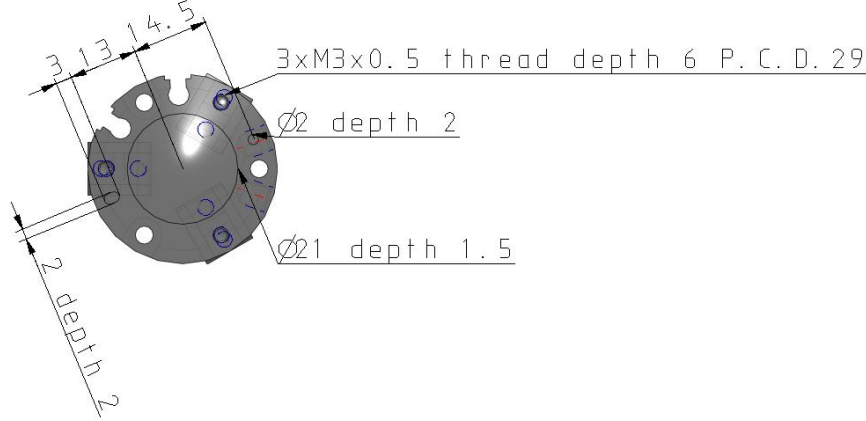
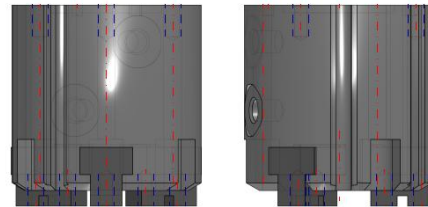
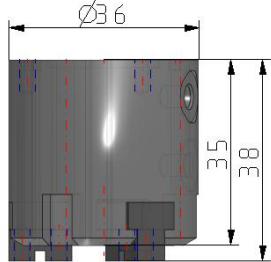
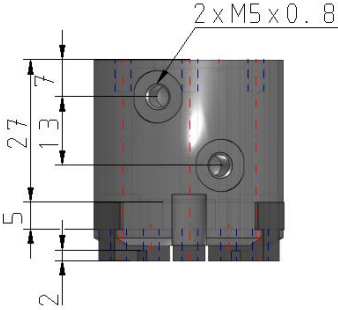
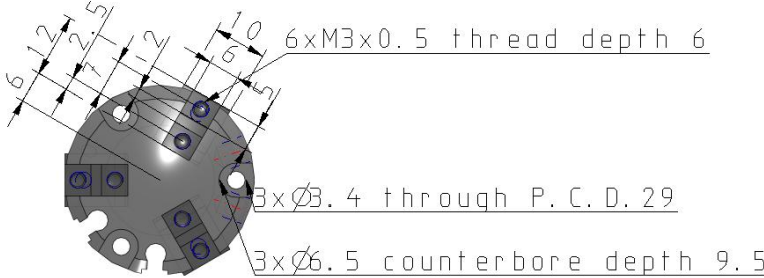
Bore Size	20mm
Thread Type	Rc: 80-125 Bore; M Thread 32 to 63 Bore
Auto Switch	No Switch
Lead Wire or Prewired Connector	0.5m (Or None in the Case of No Switch)
Number	2 pcs. (Or None in the Case of No Switch)
Special Specifications	None
Maximum operating pressure	0.6 MPa
Minimum operating pressure	0.2 MPa
Maximum ambient temperature	60 °C
Minimum ambient temperature	-10 °C
Conform to the European RoHS Directive	Conform
Repeatability	$\pm 0.01$ mm
Lubrication	Non-Lube
Effective holding force per finger, external (0.5 MPa)	25 N
Effective holding force per finger, internal (0.5 MPa)	28 N
Maximum operating frequency	120 c.p.m.
Opening / closing stroke (both sides)	4 mm
Fluid	Air
Action	Double Acting

Weight

0.100 Kg

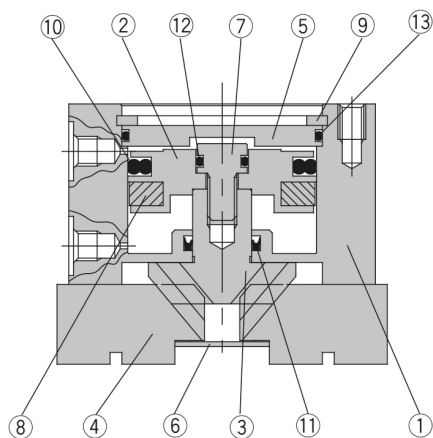
---

# Dimensions

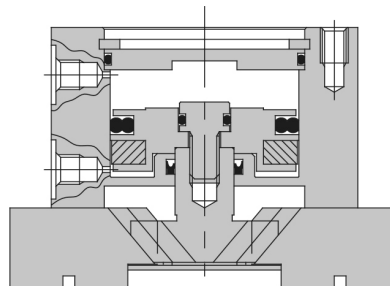


## Constructions

### Closed condition



### Open condition



### Parts list

No.	Description	Material	Note
1	<b>Body</b>	Aluminum alloy	Hard anodized
2	<b>Piston</b>	Aluminum alloy	Hard anodized
3	<b>Cam</b>	Carbon steel	Heat treated, Specially treated
4	<b>Finger</b>	Carbon steel	Heat treated, Specially treated
5	<b>Cap</b>	Aluminum alloy	Hard anodized
6	<b>End plate</b>	Stainless steel	
7	<b>Piston bolt</b>	Stainless steel	

No.	Description	Material	Note
8	<b>Rubber magnet</b>	Synthetic rubber	
9	<b>C type snap ring</b>	Carbon steel	Nickel plated
10	<b>Piston seal</b>	NBR	
11	<b>Rod seal</b>	NBR	
12	<b>Gasket</b>	NBR	
13	<b>Gasket</b>	NBR	

## Additional information

Catalogue

[MHS\\_EU.pdf](#)