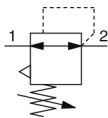


ARP20/30/40, Direct Operated Precision Regulator ARP20K-F02

Datasheet

General series information

- Air consumption decrease by 80% from the existing product (ARP3000).
- Allows precise control of air pressure.
- Standard backflow function (ARP20K/30K/40K).
- Standard digital pressure switches.
- Compatible with the new AC spacers.



Pressure regulator with backflow function

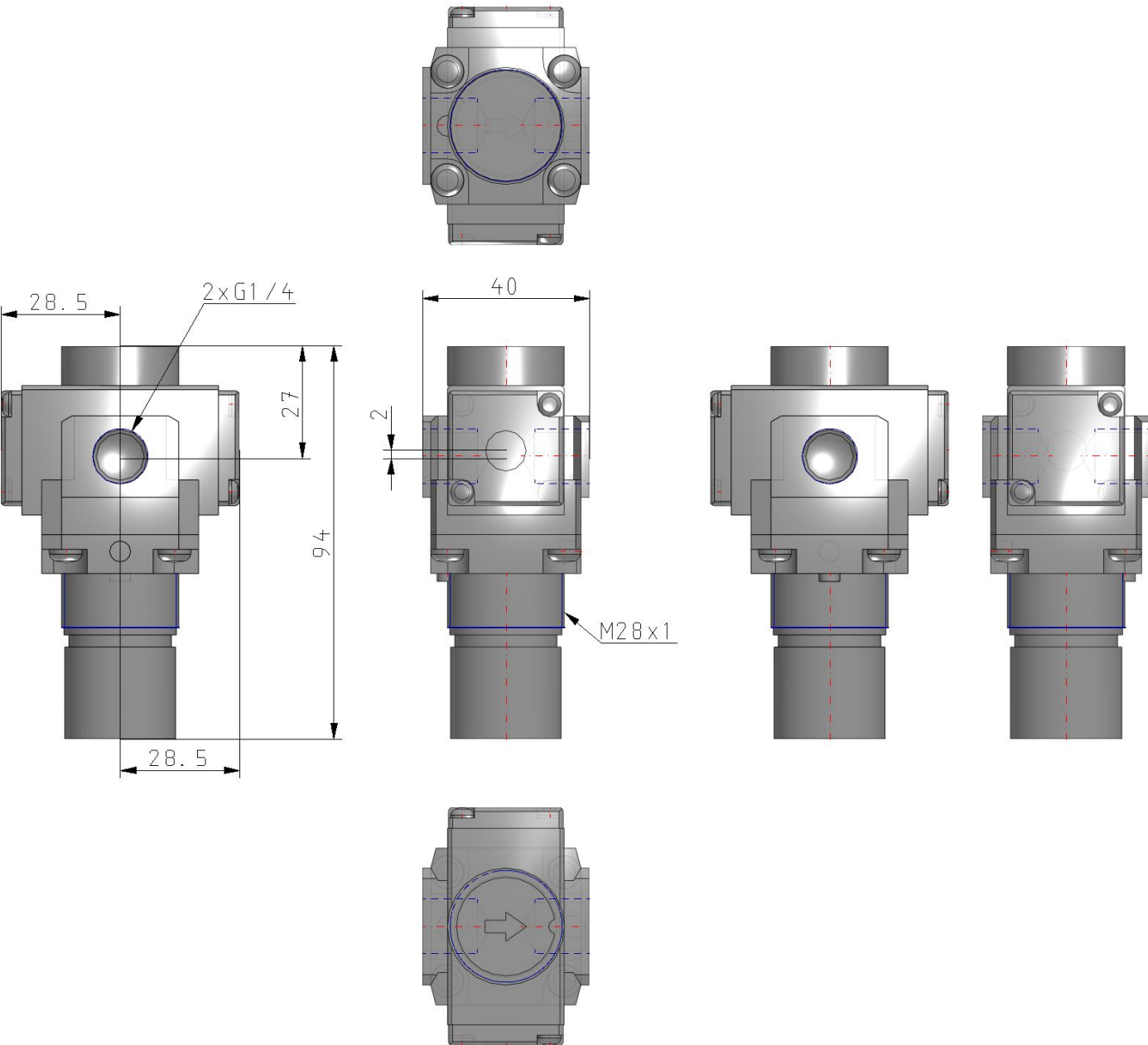
Standard specifications

| | |
|--|--|
| Size | 20 |
| Backflow Function | K (Backflow Function) |
| Thread | F (G) |
| Port Size | 02 (1/4) |
| Accessory | None |
| Specifications | 0.005 to 0.4MPa Setting |
| Pressure Unit | Name plate & Pressure Gauge in SI Units: MPa |
| Pressure medium | Air |
| Maximum temperature of pressure medium | 60 °C |
| Minimum temperature of pressure medium | -5 °C (with no freezing) |
| Maximum operating pressure | 0.7 MPa |
| Proof pressure | 1.2 MPa |
| Maximum ambient temperature | 60 °C |
| Minimum ambient temperature | -5 °C (with no freezing) |
| Approvals | No need |
| Sensitivity | Within 0.2% F.S. |
| Repeatability | Within ±1% F.S. (or ±3 kPa) |
| Set pressure range | 0.005 - 0.4 MPa |

Weight

0.182 Kg

Dimensions



Additional information

| | |
|----------------------|--|
| Catalogue | ARP20-30-40_EU.pdf |
| Installation manuals | IM_ARP_SMU48EN.pdf |
| Operation manuals | OM_ARPxK_OML0043EN-B.pdf OM_ARP_OML0044EN-A.pdf |