

## AR20-D to AR60-D, Regulator & Regulator w/Backflow Function AR40-F04G-D

Datasheet

### General series information

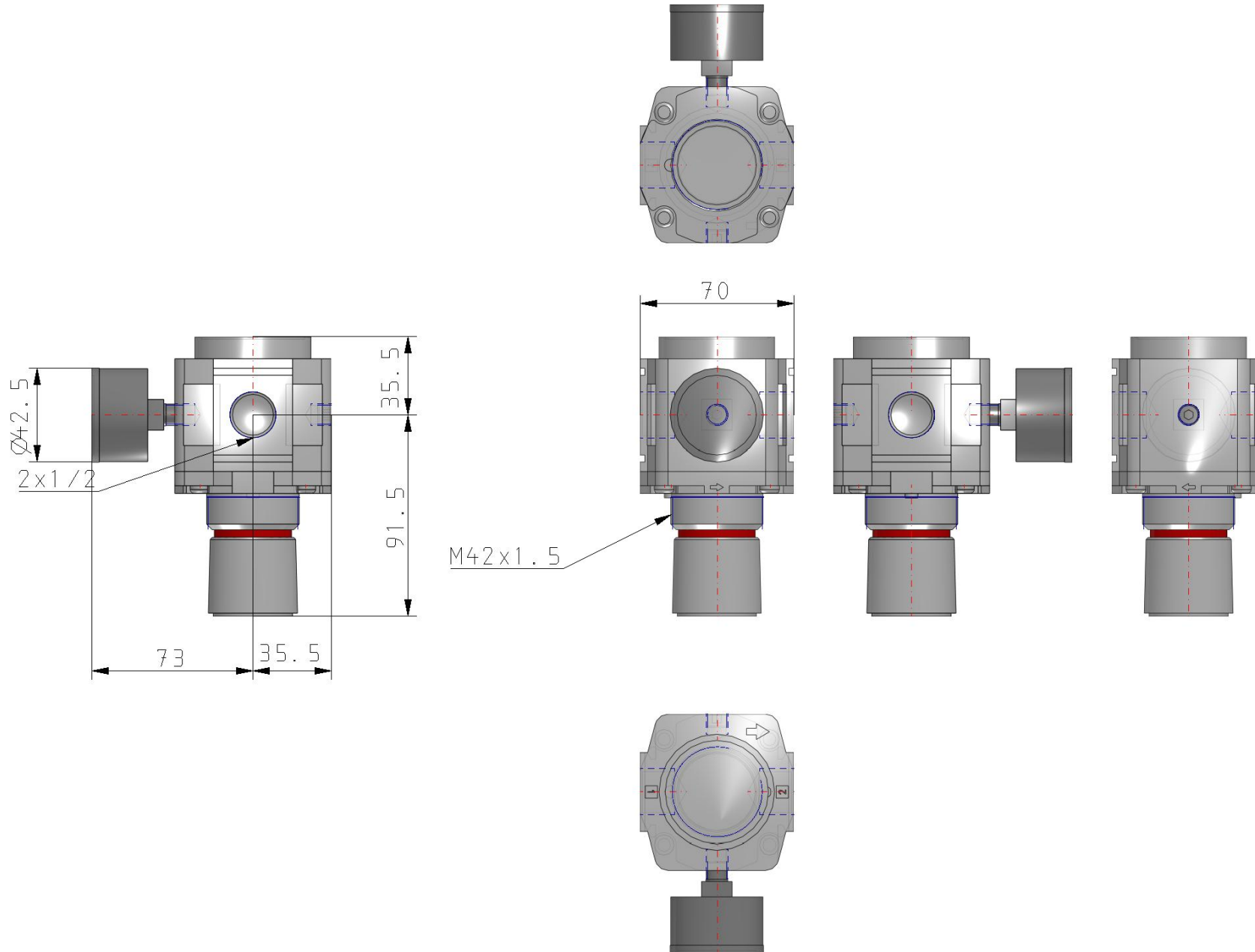
- ISO 8573-1:2010 compliant
- Up to 0.85 MPa set pressure
- Maximum flow rate up to 20000 l/min (ANR, 0.7MPa).



### Standard specifications

Body Size	40
Backflow Function	None
Thread	F (G)
Port Size	04 (1/2)
Options	G (Round Pressure Gauge w/Limit Indicator)
Set pressure	0.05 to 0.85 MPa Setting
Exhaust Mechanism	Relieving
Flow Direction	Left to Right
Knob	Downward
Pressure Units	Standard (Name Plate, Caution Plate for Bowl, and Pressure Gauge: MPa)
Construction	Relieving type
Pressure medium	Air
Maximum temperature of pressure medium	60 °C
Minimum temperature of pressure medium	-5 °C (with no freezing)
Maximum operating pressure	1.0 MPa
Proof pressure	1.5 MPa
Maximum ambient temperature	60 °C
Minimum ambient temperature	-5 °C (with no freezing)
Weight	0.492 Kg

# Dimensions



Specifications are subject to change without prior notice and any obligation on the part of the manufacturer.

## Additional information

Catalogue	<a href="#">ACD-D_EU.pdf</a>
Installation manuals	<a href="#">IM_ARx-D_TF2Z352EN.pdf</a>
Operation manuals	<a href="#">OM_AR20-60-D_OMX0055EN-B.pdf</a>