

## C(D)Q2, Compact Cylinder, Double Acting, Single Rod w/Auto Switch Mounting Groove CQ2B25-20DM

Datasheet

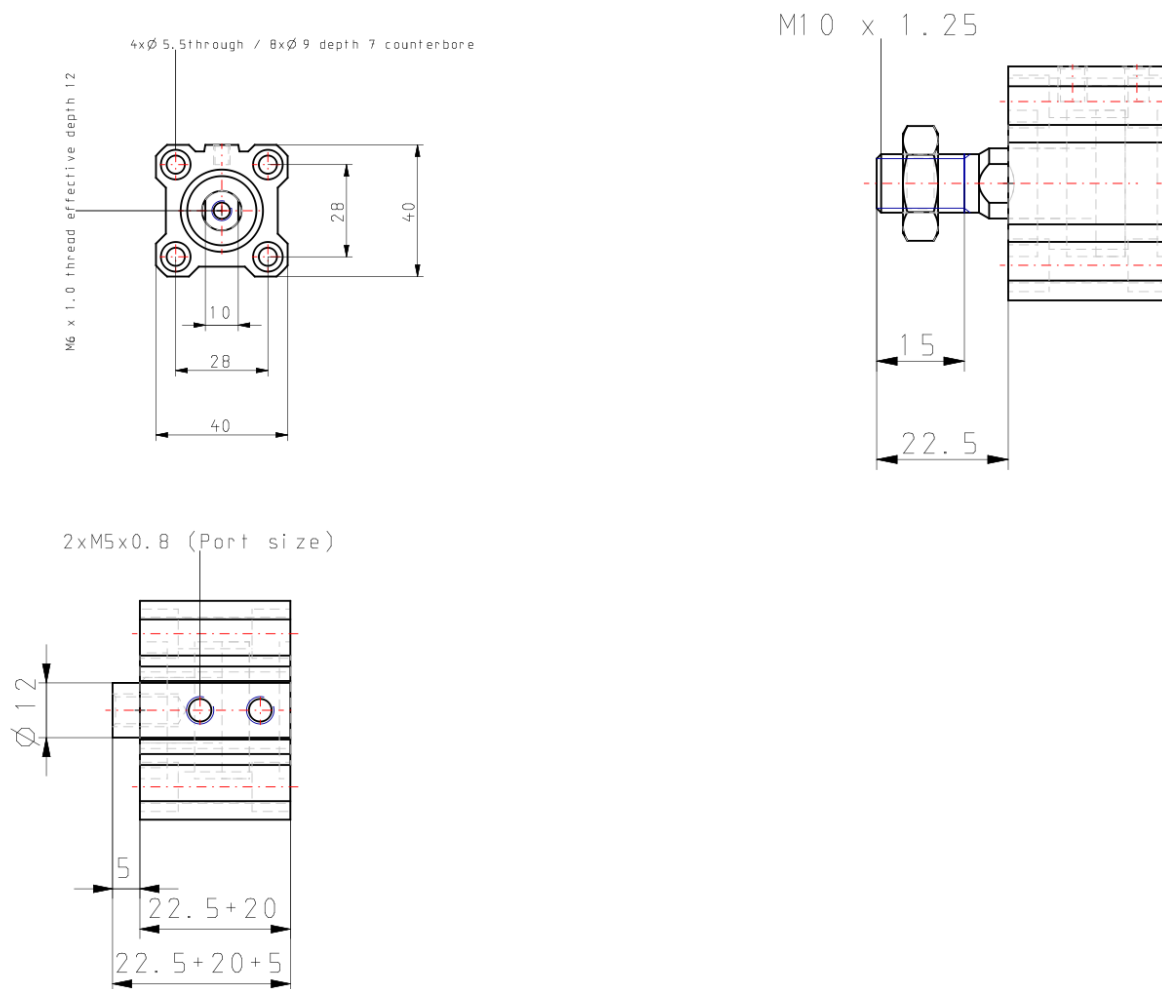
- Double acting, single rod, compact cylinder
- Bore sizes (mm): 12, 16, 20, 25, 32, 40, 50, 63, 80, 100
- Standard stroke range (mm): 5 to 100
- Port threads: M (12 to 25 bore); Rc, NPT or G (32 to 100 bore)
- Can mount small auto switches on 4 surfaces.

### Standard specifications

|                                 |                                      |
|---------------------------------|--------------------------------------|
| Magnet                          | None                                 |
| Mounting                        | B (Through Hole [Standard])          |
| Type                            | Standard                             |
| Bore Size                       | Ø25 mm                               |
| Port Thread Type                | Rc                                   |
| Lube-retainer                   | Without Stable Lubrication Function  |
| Stroke                          | 20                                   |
| Body Option                     | Standard [Rod End Female Thread]     |
| Auto Switch Groove              | None, also for 12-25 Bore w/o Magnet |
| Mounting Bolt                   | None                                 |
| Rod End Bracket                 | None                                 |
| Auto Switch                     | No Switch                            |
| Lead Wire or Prewired Connector | M (1 m)                              |
| Number                          | 2 pcs.                               |
| Rod End Options                 | None                                 |
| Temperature Resistance          | None                                 |
| Low Speed                       | None                                 |
| Made of Stainless Steel         | None                                 |
| Fluororubber Seal               | None                                 |

|  |                |
|--|----------------|
| Pressure medium                        | Compressed air |
| Conform to the European RoHS Directive | Not conform    |
| Number of pneumatic connections        | 2 pcs.         |
| Mode of operation of drive             | Double acting  |
| Geometric form of the piston rod       | Single rod     |
| Weight                                 | 0.198 Kg       |

## Dimensions



## Additional information

Catalogue

[CQ2-Z-B\\_EU.pdf](#)