

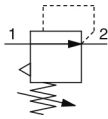
# IR1000/2000/3000, Precision Regulator

## IR1000-01B

### Datasheet

## General series information

- Precision regulator
- Regulating pressure range (MPa): 0.005 to 0.8 depending on model
- Compact and lightweight
- Bracket & pressure gauge can be mounted on either the front or back
- 2 air operated models.



Pressure control valve, relieving pressure regulator, adjustable

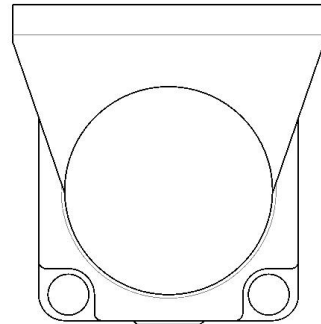
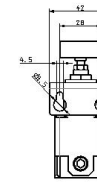
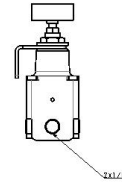
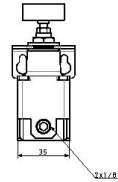
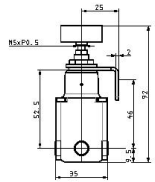
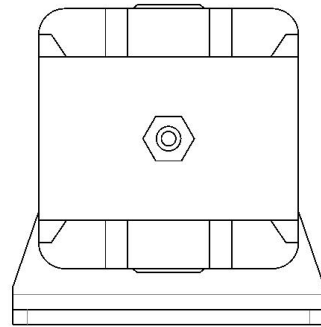
## Standard specifications

|                                         |                                                        |
|-----------------------------------------|--------------------------------------------------------|
| Body Size                               | 1 (IR1000)                                             |
| Type of Setting                         | 0 (Basic [Handle])                                     |
| Set Pressure                            | 0 (0.005~0.2MPa [IR1000/2000] or 0.01~0.2MPa [IR3000]) |
| Thread                                  | Rc(PT)                                                 |
| Port Size                               | 01 (1/8 [IR1000 Only])                                 |
| Accessory                               | B (Bracket)                                            |
| Suffix 1                                | Standard                                               |
| Suffix 2                                | None                                                   |
| Made to Order                           | None                                                   |
| Switch Specifications                   | None                                                   |
| Pressure medium                         | Air                                                    |
| Maximum temperature of pressure medium  | 60 °C                                                  |
| Minimum temperature of pressure medium  | -5 °C [with no freezing]                               |
| Maximum operating pressure              | 1.0 MPa                                                |
| Minimum operating pressure              | +0.05 Mpa                                              |
| Maximum ambient temperature             | 60 °C                                                  |
| Maximum ambient temperature with magnet | -5 °C [with no freezing]                               |
| Approvals                               | No need                                                |

|                                                 |                          |
|-------------------------------------------------|--------------------------|
| Sensitivity                                     | Within 0.2% of full span |
| Repeatability                                   | Within 0.5% of full span |
| Set pressure range                              | 0.005 - 0.2 MPa          |
| Linearity                                       | Within 1% of full span   |
| Air consumption (At supply pressure of 1.0 MPa) | 4.4 l/min (ANR) or less  |
| Input signal pressure                           | 0.01 - 0.8 Mpa           |
| Weight                                          | 0.159 Kg                 |

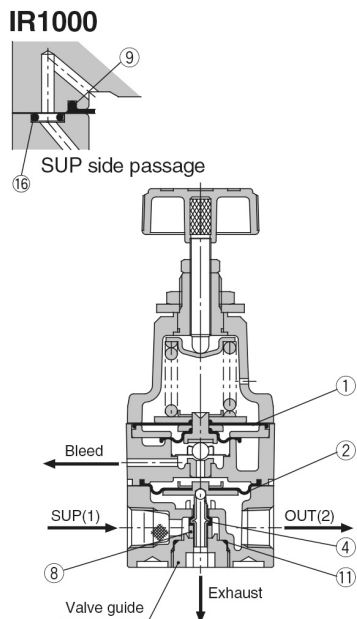
Specifications are subject to change without prior notice and any obligation on the part of the manufacturer.

# Dimensions



# Constructions

## Construction



### Replacement Parts

| No.                                          | Description        | Material             | IR10□0      |      |
|----------------------------------------------|--------------------|----------------------|-------------|------|
|                                              |                    |                      | Part no.    | Qty. |
| 1                                            | Diaphragm assembly | NBR, other           | P362010-1   | 1    |
| 2                                            | Diaphragm assembly | NBR, other           | P362010-2   | 1    |
| 3                                            | Diaphragm          | NBR, other           | —           | —    |
| 4                                            | Valve              | Stainless steel, NBR | P36201058   | 1    |
| 5                                            | Valve              | Stainless steel, NBR | —           | —    |
| 6                                            | Valve              | Brass, NBR           | —           | —    |
| 7                                            | Valve              | Brass, NBR           | —           | —    |
| 8                                            | Damper             | NBR, other           | P36201021   | 1    |
| 9                                            | O-ring             | H-NBR                | ø2.5 x 1.05 | 3    |
| 10                                           | O-ring             | NBR                  | —           | —    |
| 11                                           | O-ring             | NBR                  | ø10 x 1.3   | 1    |
| 12                                           | O-ring             | NBR                  | —           | —    |
| 13                                           | O-ring             | NBR                  | —           | —    |
| 14                                           | Seal (A)           | NBR                  | —           | —    |
| 15                                           | Seal (B)           | NBR                  | —           | —    |
| 16                                           | Fixed throttle     | Stainless steel      | P36202018   | 1    |
| Repair kit no. (A set of above nos. ① to ⑮.) |                    |                      | KT-IR1000   |      |

## Additional information

|                   |                                                                                                                                                                                                                                                            |
|-------------------|------------------------------------------------------------------------------------------------------------------------------------------------------------------------------------------------------------------------------------------------------------|
| Catalogue         | <a href="#">IR1000-2000-3000-B_EU.pdf</a>                                                                                                                                                                                                                  |
| Operation manuals | <a href="#">OM_IR30-OM00002EN-F.pdf</a><br><a href="#">IR10-OM00006_GB.pdf</a><br><a href="#">OM_IR20-OM00004EN-E.pdf</a><br><a href="#">OM_IR10_OM00002EN-E.pdf</a><br><a href="#">OM_IR20_OM00002EN-F.pdf</a><br><a href="#">OM_IR30_OM00004EN-F.pdf</a> |