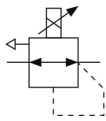


ITV2000/3000, Electro-Pneumatic Regulator

ITV3050-33F4BN3

Datasheet

- Controls air pressure in proportion to an electric signal.
- Available in MPa, kgf/cm², bar, PSI, and kPa units.
- Pressure range of 0.005 to 0.9MPa.
- Available port sizes 1/4 and 3/8.
- Mounting bracket option.



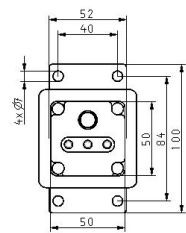
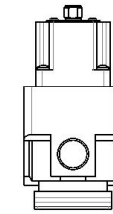
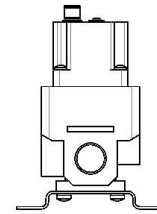
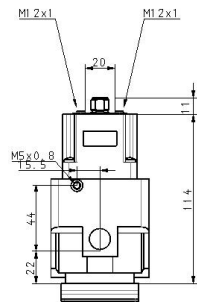
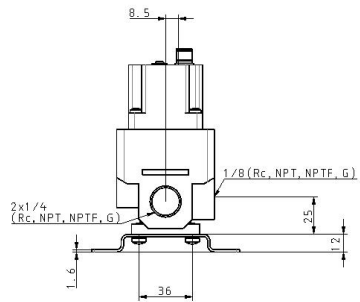
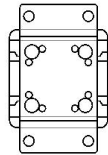
Electro-pneumatic regulator

Standard specifications

Model	30 (4000 L/min)
Pressure Range	5 (0.005~0.9MPa)
Power Voltage	0 (24VDC)
Input Signal	3 (Voltage Style 0~10VDC)
Monitor Output	3 (Switch Output PNP)
Thread	F (G[PF])
Port Size	4 (1/2 [3000])
Accessory	B (Flat Bracket)
Cable Connector	N (w/oCable Connector)
Pressure Display Unit	3 (Bar)
Options	None
Maximum temperature of pressure medium	50 °C
Minimum temperature of pressure medium	0 °C
Maximum operating pressure	1.0 MPa
Minimum operating pressure	0.1 MPa
Maximum ambient temperature	50 °C
Minimum ambient temperature	0 °C
General power supply	24 VDC ±10%
Conform to the European RoHS Directive	Conform

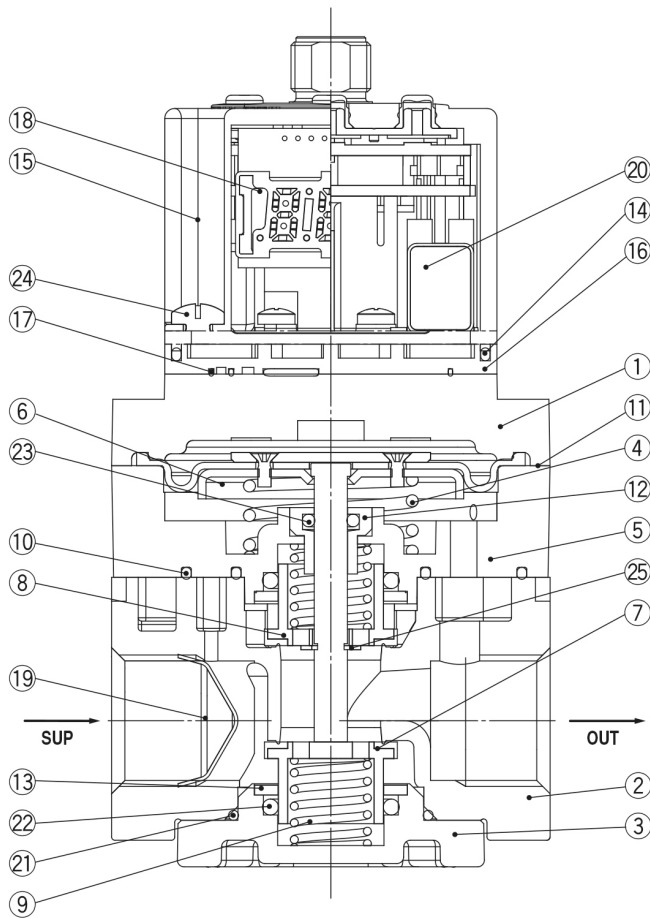
Approvals	CE
Protection class with connector	IP65
Flow rate of secondary exhaust	4000 NI/min
Enclosure	IP65
Sensitivity	0.2% (F.S.)
Repeatability	±0.5% (F.S.)
Set pressure range	0.005 - 0.9 MPa
Linearity	±1% (F.S.)
Current consumption	0.12 A
Max. supply pressure	1.0 MPa
Min. supply pressure	Set pressure +0.1 MPa
Accuracy	±2%F.S. ±1 digit
Temperature characteristics	±0.12% (F.S.)/C
Minimum display unit	0.01
Hysteresis	±1% (F.S.)
Input impedance current type	250 Ω
Input impedance Voltage type	6.5 kΩ
Input impedance Preset input	4.7 kΩ
Input impedance Digital input	4.7 kΩ
Output signal Switch	PNP open collector output: Max. 80 mA
Weight	0.735 Kg

Dimensions



Constructions

ITV3000



Main Component Parts

No.	Description	Material
1	Cover	Aluminum alloy
◆ 2	Body	Aluminum alloy
◆ 3	Valve guide	Aluminum alloy
◆ 4	Bias spring	Stainless steel
◆ 5	Intermediate body	Aluminum alloy
◆ 6	Diaphragm assembly	NBR
		Rolled sheet steel
		Stainless steel
		Aluminum alloy
◆ 7	Valve (Supply valve)	HNBR/Brass
◆ 8	Valve (Exhaust valve)	HNBR/Brass
◆ 9	Valve spring	Stainless steel
◆ 10	Seal	NBR
◆ 11	Seal	NBR
◆ 12	Rod guide	Brass
◆ 13	O-ring retainer	Aluminum alloy
◆ 14	Seal	NBR
15	Bowl assembly	Resin
		Silicone rubber
16	Sub-plate	Resin
17	Seal	NBR
18	Control circuit assembly	—
◆ 19	Filter	Stainless steel
◆ 20	Solenoid valve	—
◆ 21	O-ring	NBR
◆ 22	O-ring	NBR
◆ 23	O-ring	NBR
◆ 24	Round head Phillips screw	Steel
◆ 25	Retaining ring	Stainless steel

* Parts in contact with fluid are indicated with a mark ◆.

Additional information

Catalogue	ITV-Ff_EU.pdf
Declaration of conformity	DoC_ITVx_TF00023-B.pdf newDoC_ITV2000_3000_TF1Y106EN.pdf newDoC_ITV2000_3000_TF1V093EN.pdf
Installation manuals	IMM_ITV3000_54GB-A.PDF IMM_ITVx_TF112GB-A.pdf
Operation manuals	OM_ITV2_DeviceNet_EN-B.pdf OM_ITV2_PROFIBUS-DP_EN.pdf OM_ITV2_CC-Link_EN-A.pdf OM_ITV2_OM00068EN-C.pdf OM_ITV2_RS-232C_EN.pdf OM_ITV2_OM00109EN-C.pdf OM_ITV2_OM00112EN-C.pdf