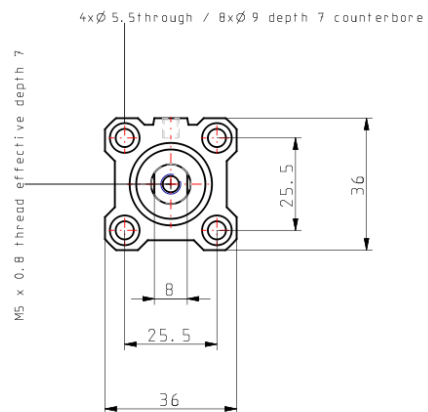
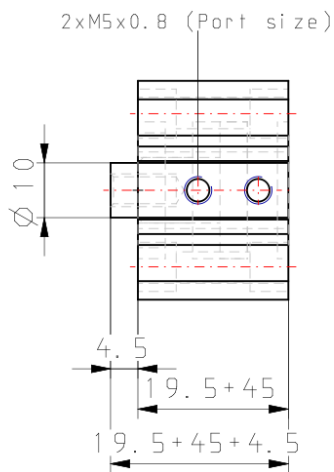


C(D)Q2, Compact Cylinder, Double Acting, Single Rod w/Auto Switch Mounting Groove
CQ2B20-45DC

- Double acting, single rod, compact cylinder
- Bore sizes (mm): 12, 16, 20, 25, 32, 40, 50, 63, 80, 100
- Standard stroke range (mm): 5 to 100
- Port threads: M (12 to 25 bore); Rc, NPT or G (32 to 100 bore)
- Can mount small auto switches on 4 surfaces.

Magnet	None
Mounting Type	B (Through Hole [Standard])
Bore Size	Ø20 mm
Port Thread Type	Rc
Lube-retainer	Without Stable Lubrication Function
Stroke	45
Body Option	C [Rubber Bumper]
Auto Switch Groove	None, also for 12-25 Bore w/o Magnet
Mounting Bolt	None
Rod End Bracket	None
Auto Switch	No Switch
Lead Wire or Prewired Connector	0.5 m or None in the Case of No Switch
Number	2 pcs.
Rod End Options	None
Temperature Resistance	None
Low Speed	None
Made of Stainless Steel	None

Fluororubber Seal	None
-	Compressed air
Weight	0.254 Kg



-
-

[CQ2-Z-B_EU.pdf](#)