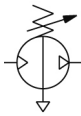


## VBA2#A,4#A, Booster Regulator VBA20A-F03GS

Datasheet

### General series information

- Service life increased.
- Noise reduced.
- Condensation reduced.
- Reliability improved.



*Pneumatic booster regulator, handle operated*

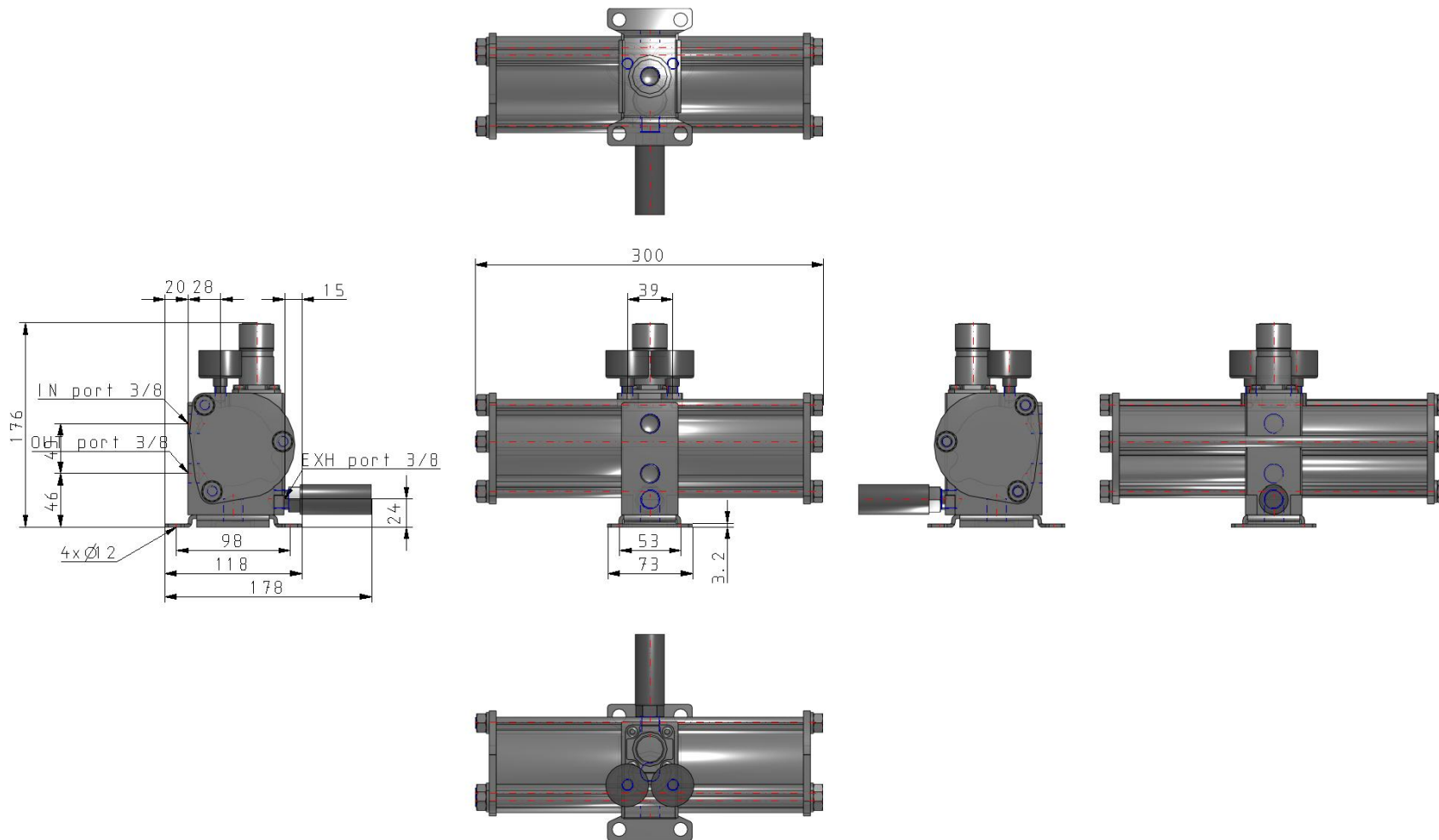
### Standard specifications

Made to Order	Standard
Body Size	20A (3/8, Handle-operated type)
Thread Type	F (G [PF])
Port Size	03 (3/8)
Option	GS (Pressure Gauge [2 pcs.], High noise reduction silencer)
Semi-standard	Standard
Pressure medium	Compressed Air
Maximum operating pressure	1.0 MPa
Minimum operating pressure	0.2 MPa
Proof pressure	1.5 MPa
Maximum ambient temperature	50 °C
Minimum ambient temperature	2 °C (No freezing)
Approvals	No need
Number of pneumatic connections	3 pcs.
Flow rate	1000 l/min
Set pressure range	0.2 to 1.0 MPa
Port size	Rc 3/8
Pressure increase ratio	Twice

Pressure adjustment mechanism	Handle-operated with relief mechanism
Supply pressure range (MPa)	0.1 to 1.0 MPa
Pressure gauge port size (Rc) (IN/OUT: 2 locations)	1/8
Installation	Horizontal
Lubrication	Grease (Non-lube)
Weight	3.770 Kg

Specifications are subject to change without prior notice and any obligation on the part of the manufacturer.

# Dimensions



## Additional information

Catalogue	<a href="#">VBA-VBAT-Dd_EU.pdf</a>
Operation manuals	<a href="#">OM_VBA-OM-L007_EN-E.pdf</a> <a href="#">MM_VBA20A_MM-L010EN-A.pdf</a> <a href="#">VBA_MM_M009GB-B.pdf</a> <a href="#">VBA40A_MM_L004EN-B.pdf</a>