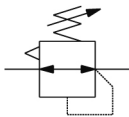


## AR20(\*)-B to AR60(\*)-B, Regulator & Regulator w/Backflow Function AR40-F06H-B

### Datasheet

Cost effective and clean looking, series AR-B regulators offer various pressure range settings to accommodate most applications. The locking adjustment knob prevents accidental setting changes. The modular design of the AR series connects with other SMC air preparation equipment.

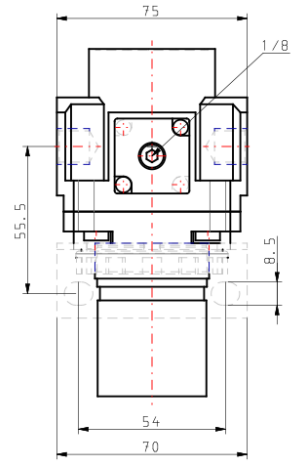
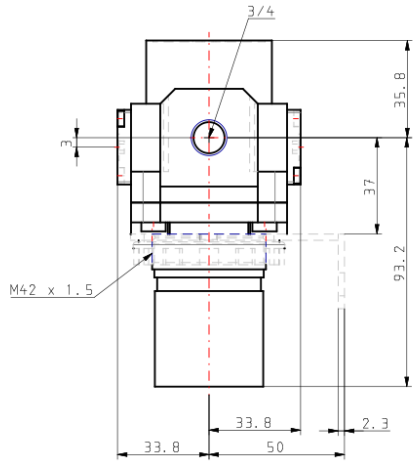


Pressure control valve, relieving pressure regulator, adjustable

### Standard specifications

|  |                                |
|--|--------------------------------|
| Made to Order 1                        | None                           |
| Body Size                              | 40                             |
| Backflow Function                      | None                           |
| Thread                                 | F (G)                          |
| Port                                   | 06 (3/4)                       |
| Option                                 | H (w/Set Nut, for Panel Mount) |
| Semi-standard                          | Standard                       |
| Made to Order 2                        | None                           |
| Pressure medium                        | Air                            |
| Maximum temperature of pressure medium | 60 °C                          |
| Minimum temperature of pressure medium | -5 °C [with no freezing]       |
| Maximum operating pressure             | 1.0 MPa                        |
| Proof pressure                         | 1.5 MPa                        |
| Maximum ambient temperature            | 60 °C                          |
| Minimum ambient temperature            | -5 °C [with no freezing]       |
| Conform to the European RoHS Directive | Conform                        |
| Approvals                              | No need                        |
| Weight                                 | 0.480 Kg                       |

### Dimensions



## Additional information

Catalogue

[AC-B-B\\_EU.pdf](#)