

Elbow - AS*2*1F AS2201F-01-10S

Datasheet

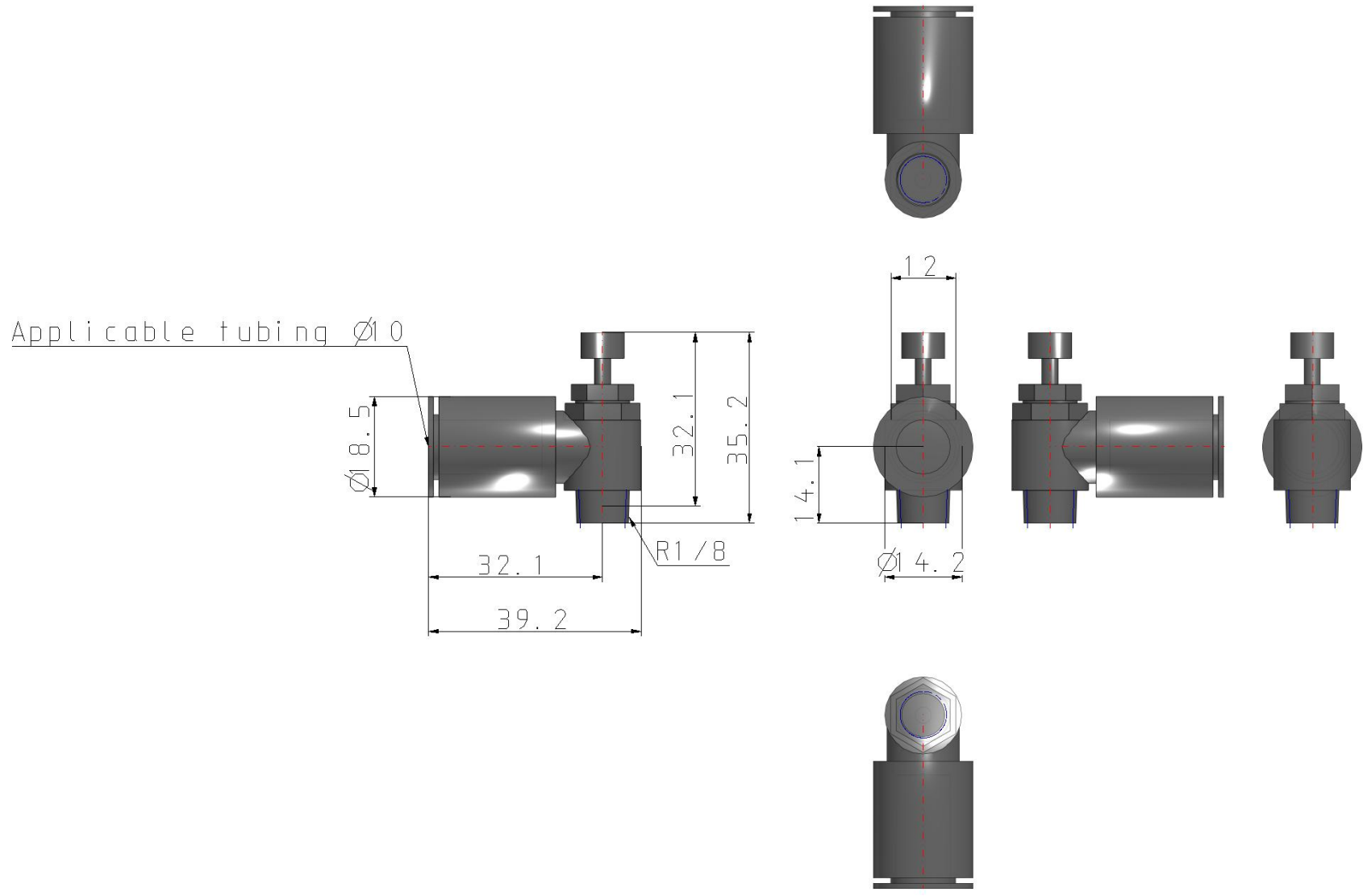
General series information

- Port Size: M3, M5, 10-32 UNF, 1/8, 1/4, 3/8, 1/2
- Applicable Tubing O.D.: Ø 2 to Ø 12 mm and Ø 1/8" to Ø 1/2"
- Operating Pressure Range: 0.1 to 1 MPa.

Standard specifications

Size	2 (1/8, 1/4 Basis)
Style	2 (Elbow)
Control Method	0 (Meter-out)
Thread	M3, M5, U10/32, Rc
Port Size	01 (1/8)
Tube Size	Ø10
Option	S (Sealant)
Fixed Orifice	None
Made to Order	None
Lock Nut	Standard (Hexagon)
Weight	0.021 Kg

Dimensions



Additional information

Catalogue [AS_2-3_1F-A_EU.pdf](#)

Operation manuals [OM_ASx2x1F_OMG0107EN-B.pdf](#)