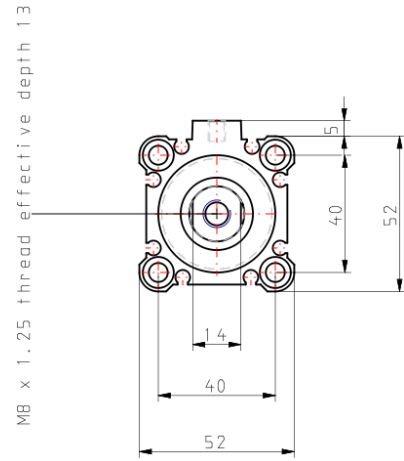
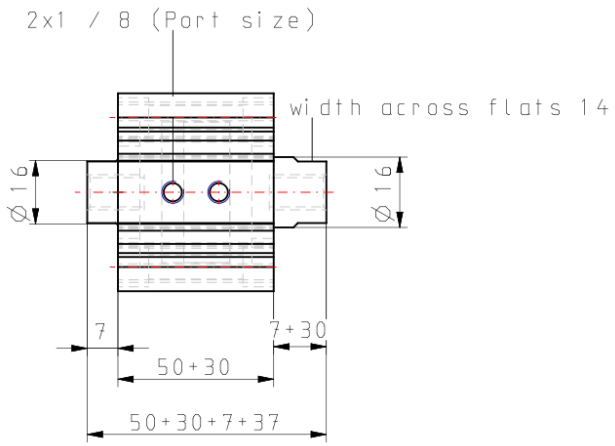


## C(D)Q2W, Compact Cylinder, Double Acting Double Rod w/Auto Switch Mounting Groove CDQ2WB40TF-30DZ

- Double acting, double rod, compact cylinder
- Bore sizes (mm): 12, 16, 20, 25, 32, 40, 50, 63, 80, 100
- Standard stroke range (mm): 5 to 100
- Port threads: M (12 to 25 bore); Rc, NPT or G (32 to 100 bore)
- Can mount small auto switches on 4 surfaces.

Magnet	D (Built-in)
Mounting	B (Through Hole [Standard])
Type	Standard
Bore Size	Ø40 mm
Port Thread Type	TF
Stroke	30
Body Option	Standard (Rod End Female Thread)
Auto Switch Groove	None, also for 12-25 Bore w/o Magnet
Auto Switch	No Switch
Lead Wire or Prewired Connector	Z (5 m)
Number	2 pcs. or None in the Case of No Switch
Rod End Options	None
Temperature Resistance	None
Low Speed	None
Made of Stainless Steel	None
Fluororubber Seal	None
-	Compressed air
Weight	0.503 Kg



-  
-

[CQ2-Z-B\\_EU.pdf](#)