

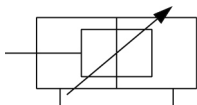
C95S(D), ISO Cylinder, Double Acting, Single Rod, Large Bore

C95SDB160-400

Datasheet

General series information

- Conforms to ISO 6431, CETOP RP43P, VDMA 24562
- Large bore size (160~250mm)
- Standard strokes up to 2400mm (depending on bore size)
- Auto switch capable



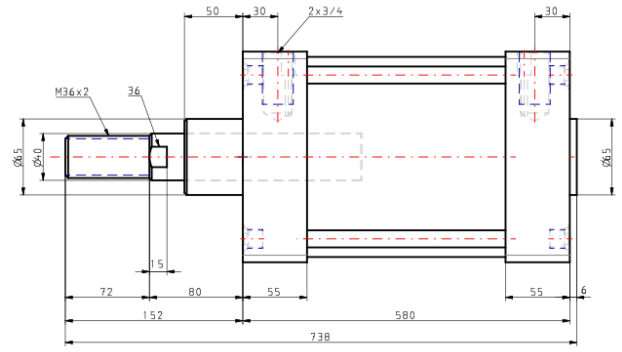
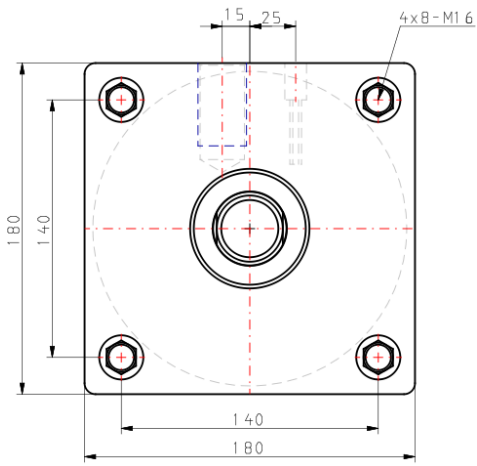
Double-acting cylinder with cushioning adjustable at both ends, single piston rod

Standard specifications

Magnet	D (Built-in Magnet)
Mounting	B (Basic Style)
Bore Size	160mm
Stroke	400
Auto Switch	No Switch
Electrical Entry	0.5m Lead Wire (Or None in the Case of No Switch)
Number	2 pcs. (Or None in the Case of No Switch)
Rod End Options	None
Made of Stainless Steel	None
Pressure medium	Air
Maximum temperature of pressure medium with magnet	60 °C
Minimum temperature of pressure medium with magnet	-10 °C
Maximum operating pressure	1.0 MPa
Minimum operating pressure	0.05 MPa
Proof pressure	1.5 MPa
Maximum ambient temperature with magnet	60 °C
Minimum ambient temperature with magnet	-10 °C
Number of pneumatic connections	2 pcs.
Pneumatic input connection	G 3/4

Mode of operation of drive	Double acting
Theoretical cylinder force, advance stroke (at 0.5 MPa)	10,053 N
Theoretical cylinder force, return stroke (at 0.5 MPa)	9,425 N
Maximum piston speed	500 mm/s
Type of cushioning	Both Ends (Air Cushion)
Piston rod end	External thread
Geometric form of the piston rod	Round piston rod
Male thread of rod end	M36 x 2
Minimum piston speed	50 mm/s
Lubrication	Not required (Non-lube)
Weight	21.180 Kg

Dimensions



Additional information

Catalogue

[C95-LB_EU.pdf](#)

Operation manuals

[OM_C95S_OM0002F-B_EN.pdf](#)