

VT307, 3 Port Direct Operated Poppet, All Types

VT307K-5DO1-02F-Q

Datasheet

General series information

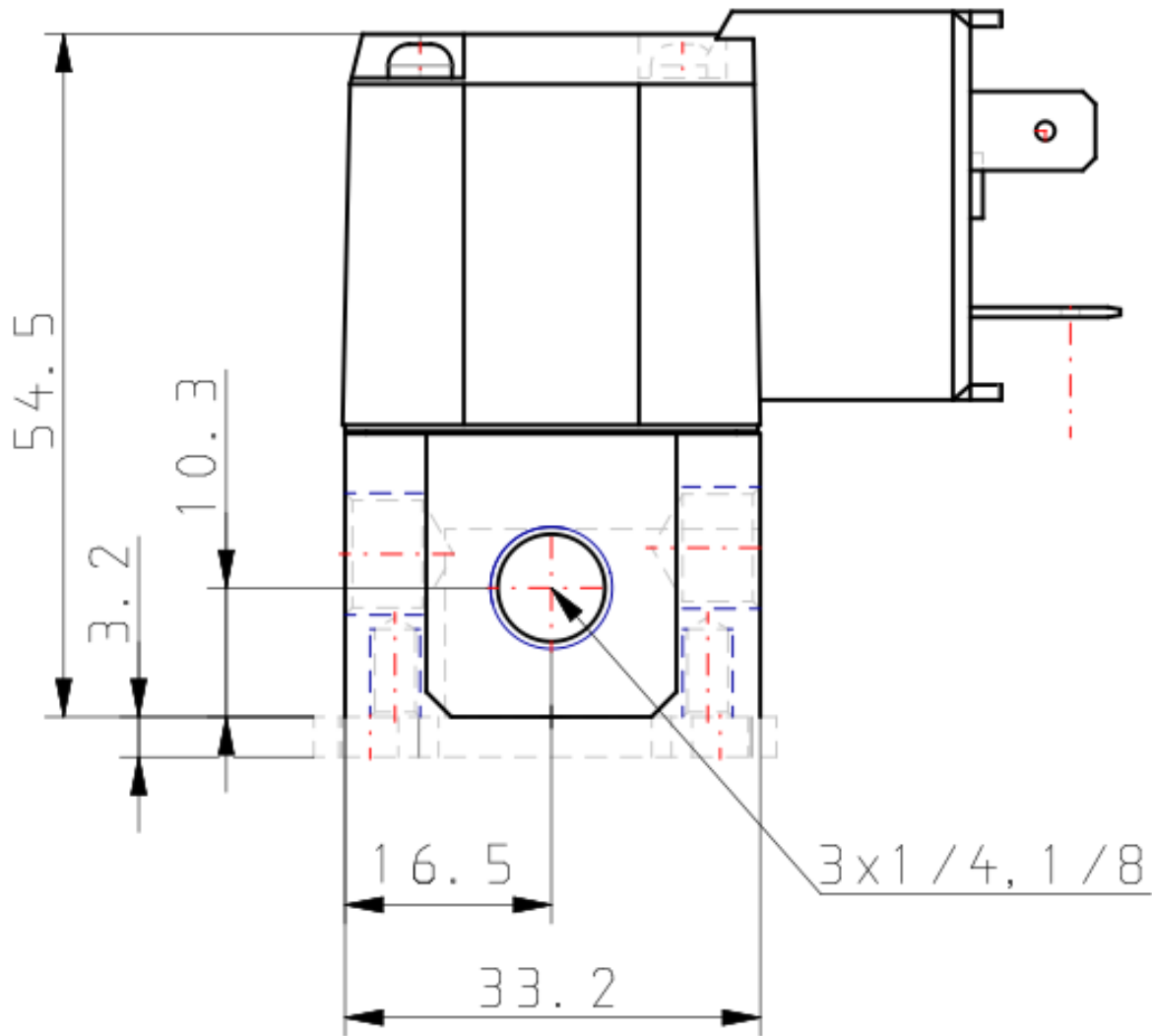
- Wide variety of valve options .
- Low Power Consumption.
- Universal porting type.
- Same mounting dimensions as the current product in both types (body ported and for manifold type).
- Low concentration ozone resistant: HNBR rubber seal.
- RoHS and CE compliant.

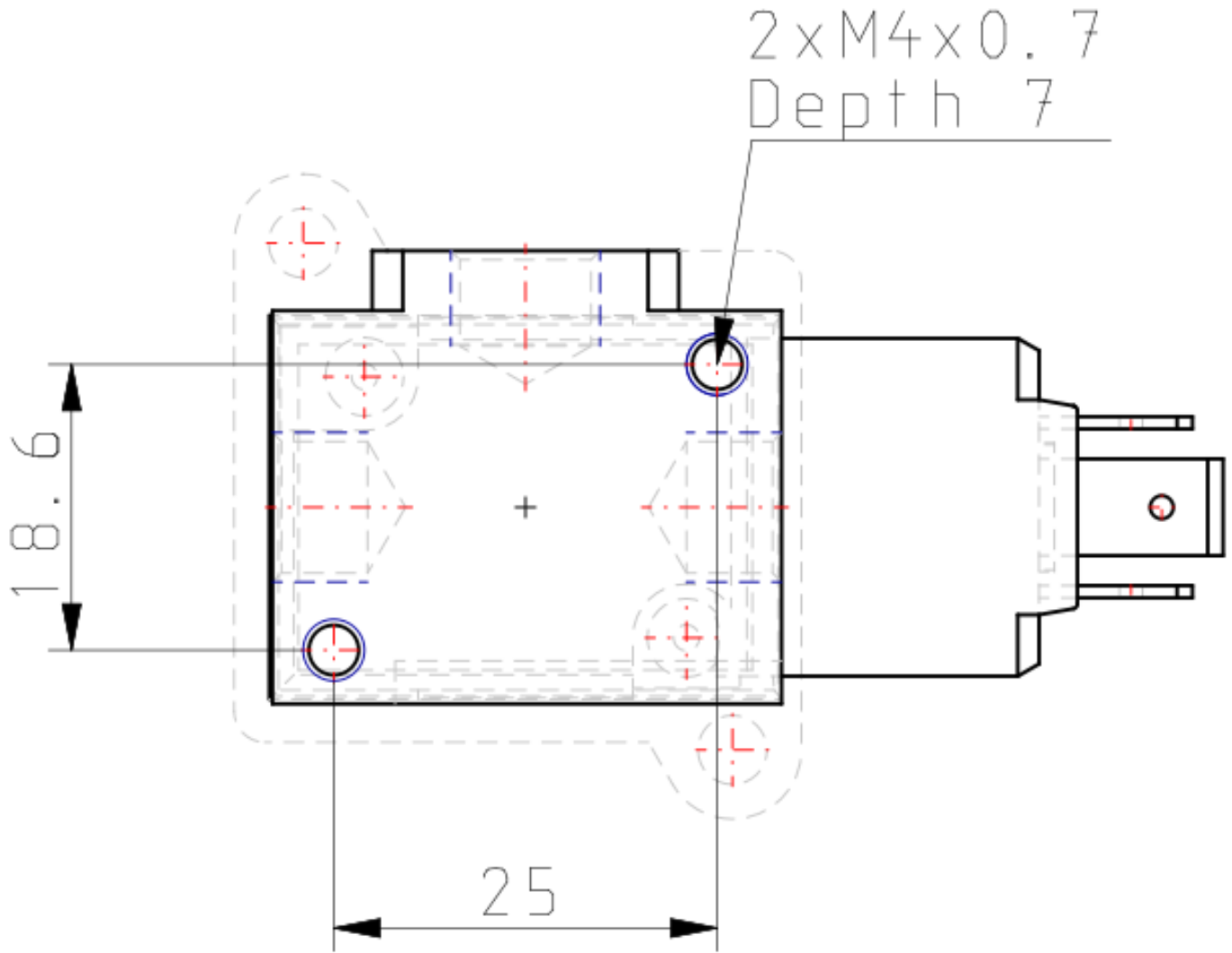
Standard specifications

| | |
|--|--|
| Body | T (Body Ported) |
| Valve specification | Standard |
| Pressure specifications | K (High-pressure type [1 MPa]) |
| Rated Voltage | 5 (24V DC) |
| Electrical Entry | DO (DIN connector [without connector]) |
| Indicator light and surge voltage suppressor | None |
| Port Size | 02 (1/4 [8A]) |
| Thread | F (G [PF]) |
| Option | None |
| CE Marked | Q (CE Marked) |
| Pressure medium | Air |
| Maximum temperature of pressure medium | 50 °C |
| Minimum temperature of pressure medium | -10 °C (No freezing) |
| Maximum ambient temperature | 50 °C |
| Minimum ambient temperature | -10 °C (No freezing) |
| Protection class with connector | Dustproof |
| Function in normal position | Closed |

| | |
|-------------------|-------------------|
| Type of piloting | Directly |
| Valve return | Mechanical spring |
| Sealing principle | Soft seal |
| Weight | 0.150 Kg |

Dimensions





Additional information

| | |
|---------------------------|---|
| Catalogue | VT_A_EU.pdf |
| Declaration of conformity | newDoC_VT307N_TF1Y176EN.pdf newDoC_New_VT307_TF1V163EN.pdf DoC_NewVT307_TFQ0001-A.pdf |
| Installation manuals | IM_VT307_TF2Z546EN.pdf |
| Operation manuals | OM_VT307_OMQ0002EN-C.pdf |