

Metric - KS KSL04-M6

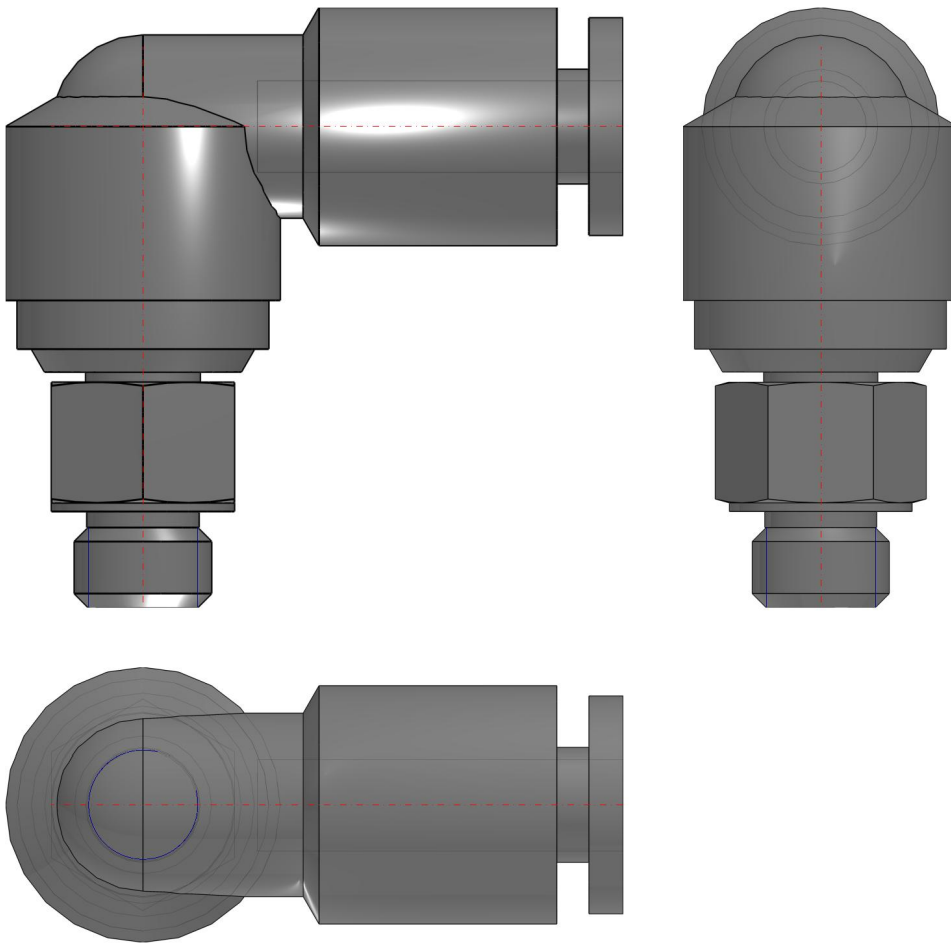
Datasheet

- Rotary, One-touch fitting (standard)
- Metric threads
- Tube OD: Ø4, Ø6, Ø8, Ø10, Ø12
- Maximum operating pressure: 1.0 MPa
- Ambient & fluid temperature: -5 to 60°C

Standard specifications

Model	L (Male Elbow)
Applicable Tube OD	Ø4 mm
Port Size	M6 (M6X1)
Sealant	w/o Sealant
Pressure medium	Air
Maximum ambient temperature	60 °C
Minimum ambient temperature	-5 °C (no Freezing)
Usable tubing material	Nylon, Soft nylon, Polyurethane
Weight	0.009 Kg

Dimensions



Additional information

Catalogue

[KS_KX_EU.pdf](#)