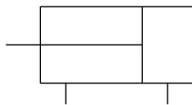


## MXH-Z, Compact Slide Table, Linear Guide

### MXH6-50Z

#### Datasheet

We are pleased to introduce the improved MXH-Z Series compact slide table. This new model incorporates a highly rigid linear guide, which generates increased allowable momentum of up to 240% and makes it suitable for use in applications where the workpiece is a long distance away. Flexible and lightweight, the MXH-Z Series is available in bores from 6 to 20mm with the ability to be mounted in four directions and piped in three directions. Extremely accurate, due to its high travelling parallelism, the slide table is particularly useful in applications involving transport and positioning and in limited space applications like dispensers. The option to directly mount D-M9\* round auto switches also reduces labour costs.



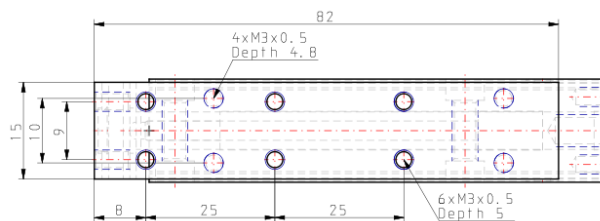
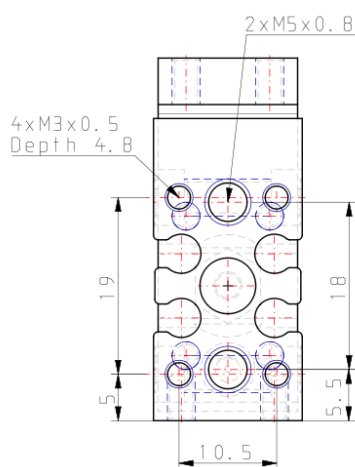
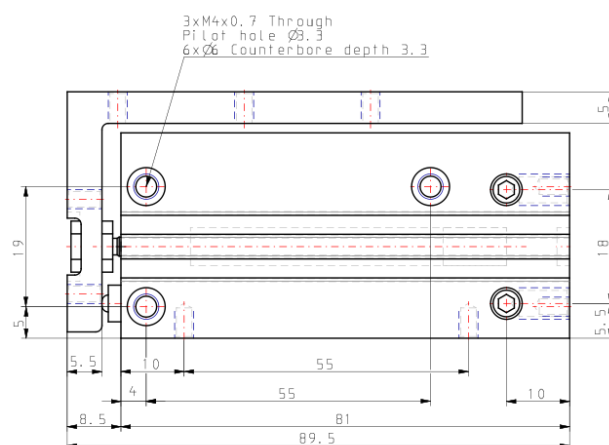
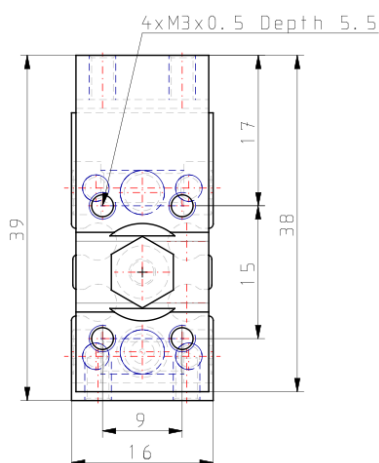
Double-acting, single-rod cylinder

### Standard specifications

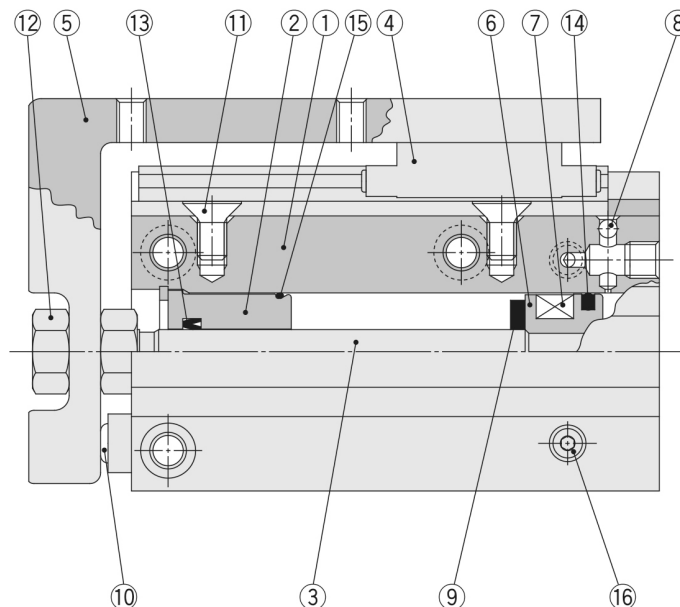
Bore Size	6mm
Stroke	50mm
Auto Switch	No Switch
Lead Wire or Prewired Connector	0.5m (Or None in the Case of No Switch)
Number	2 pcs. (Or None in the Case of No Switch)
Made to Order	None
Pressure medium	Compressed air
Maximum temperature of pressure medium	70 °C
Maximum temperature of pressure medium with magnet	60 °C
Minimum temperature of pressure medium	-10 °C [without condensation]
Minimum temperature of pressure medium with magnet	-10 °C [without condensation]
Maximum operating pressure	0.7 MPa
Minimum operating pressure	0.15 MPa
Proof pressure	1.05 MPa
Maximum ambient temperature	70 °C
Maximum ambient temperature with magnet	60 °C
Minimum ambient temperature	-10 °C [without condensation]

Minimum ambient temperature with magnet	-10 °C [without condensation]
Conform to the European RoHS Directive	Not conform
Numero of pneumatic connections	2 pcs.
Pneumatic input connection	M5
Mode of operation of drive	Double acting
Theoretical cylinder force, advance stroke (at 0.5 MPa)	14 N
Theoretical cylinder force, return stroke (at 0.5 MPa)	10 N
Maximum piston speed	500 mm/s
Type of cushioning	Rubber bumper
Allowable moment Mp	0,81
Allowable moment My	0,81
Allowable moment Mr	1,4
Allowable kinetic energy	0,0125
Weight	0.120 Kg

## Dimensions



## Constructions



### Component Parts

No.	Description	Material	Note
1	<b>Cylinder tube</b>	Aluminium alloy	Hard anodised
2	<b>Rod cover</b>	Aluminium alloy	Hard anodised
3	<b>Piston rod</b>	Stainless steel	
4	<b>Guide</b>	The main parts are made of stainless steel.	
5	<b>Table</b>	Aluminium alloy	Hard anodised
6	<b>Piston</b>	Aluminium alloy	Chromated
7	<b>Magnet</b>	Magnetic material	
8	<b>Steel ball</b>	Carbon steel	
9	<b>Bumper</b>	Urethane	
10	<b>Bumper</b>	Urethane	
11	Countersunk head screw	Carbon steel	Nickel plating
12	<b>Nut</b>	Brass	Nickel plating
13	<b>Rod seal</b>	NBR	
14	<b>Piston seal</b>	NBR	
15	<b>Gasket</b>	NBR	
16	<b>Plug</b>	Carbon steel	Zinc chromated

Note) The MXH series cannot be disassembled.

## Additional information

Catalogue

[MXH-Z-A\\_EU.pdf](#)