

D-A90/A93/A96, Reed Switch, Direct Mounting, Grommet, In-line D-A96L

Datasheet

General series information

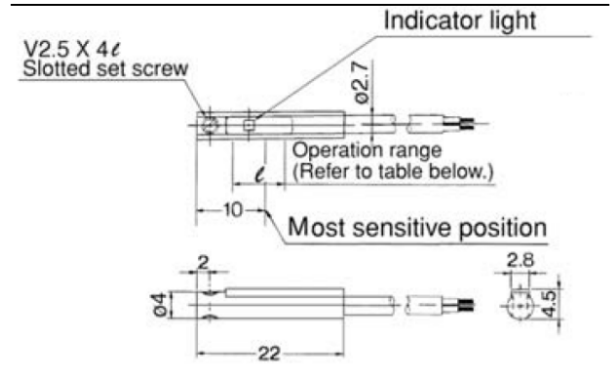
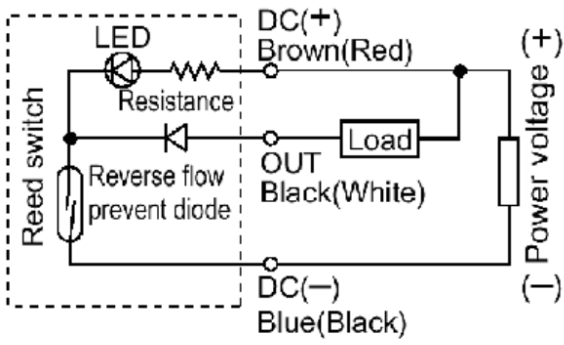
- Electrical entry: Grommet.
- Application Load: IC circuit/Relay/PLC, 24V DC Relay/PLC.
- Power voltage: 100VAC/48V DC (4 to 8V DC).
- Load current: 5 to 50mA.
- Applicable Actuator Series: CDU, CDQS, CDQ2, MY1, MXU, MXW, MXF, MXS, MXQ, MXP, MTS, CXT, MK, MK2, RSQ, CEP, CY1R.

Standard specifications

Model	A96 (DC Volt >4 <8, LED)
Lead Wire Length	L (3 m)
Approvals	CE
Electrical entry direction	In-line
Applicable load	IC circuit
Internal resistance	1 Ω
Load voltage	4 to 8 VDC (20 mA)
Load current	20 mA (4 to 8 VDC)
Internal voltage drop	0.8 V or less
Weight	0.041 Kg

Dimensions

D-A96



Additional information

Catalogue	D_EU.pdf
Declaration of conformity	newDoC_D-Reed_TF1V311EN.pdf DoC_DxZZ-TF0001M-B.pdf
Installation manuals	IMM_D-A9x_TFP24EN.pdf