

Elbow - AS*2*0 AS2200-01-S

Datasheet

General series information

- Port Size: M3, M5, 10-32 UNF, 1/8, 1/4, 3/8, 1/2
- Operating Pressure Range: 0.1 to 1 MPa.

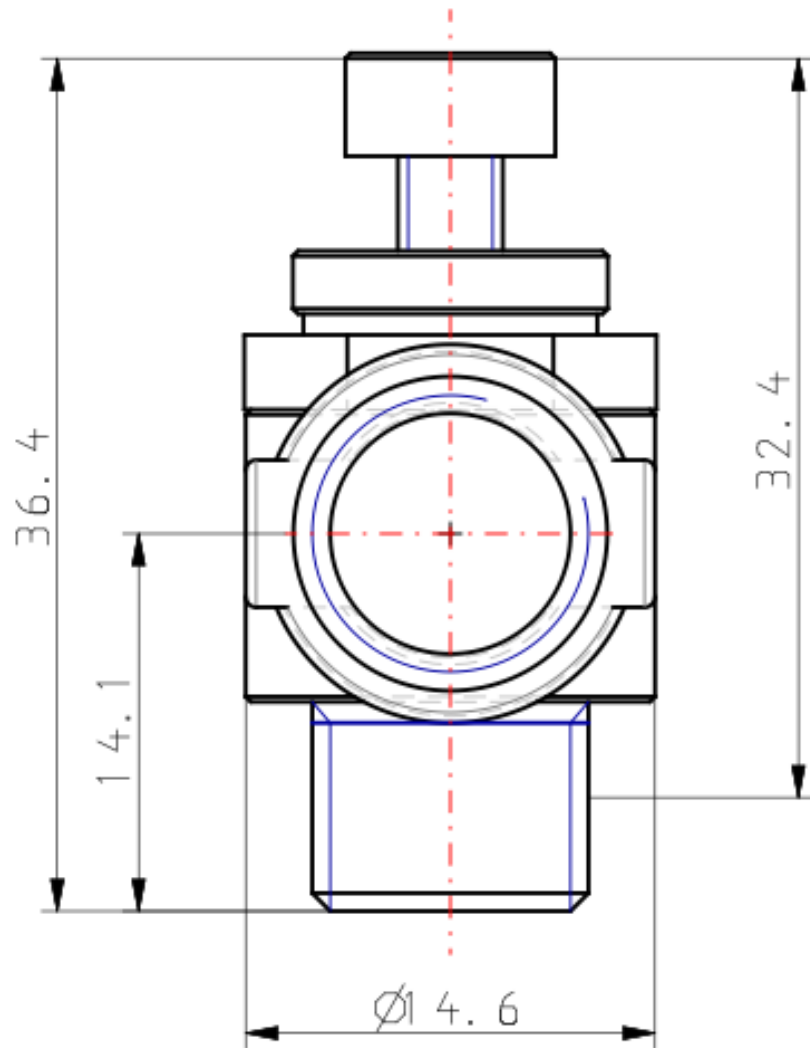


Flow control valve, adjustable, with reverse free flow

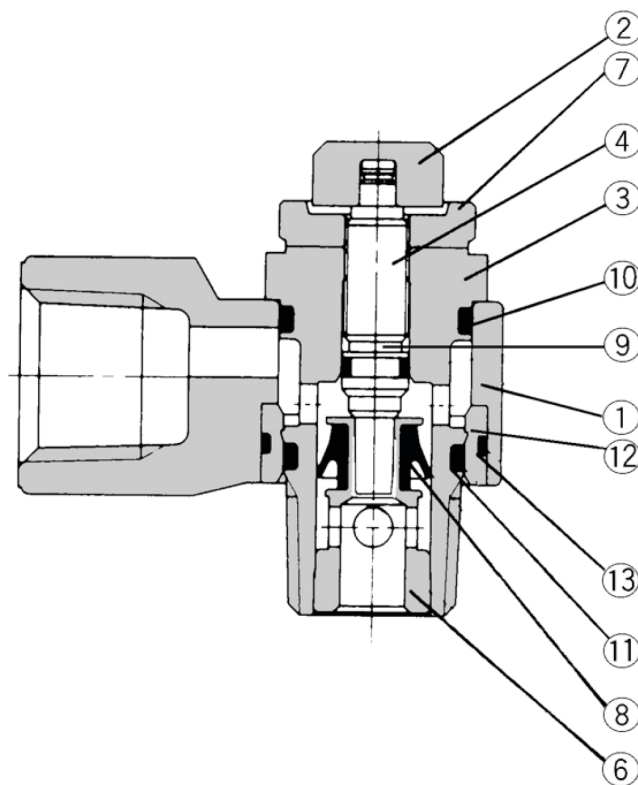
Standard specifications

Size	2 (1/8, 1/4 Basis)
Style	2 (Elbow)
Control Method	0 (Meter-out)
Thread	Rc (Metric M3, M5; Unified 10-32UNF)
Port Size	01 (1/8)
Option	S (Sealant)
Made to Order	None
Lock Nut	Standard (Hexagon)
Pressure medium	Air
Maximum operating pressure	1 MPa
Minimum operating pressure	0.1 MPa
Proof pressure	1.5 MPa
Maximum ambient temperature	60 °C
Minimum ambient temperature	-5 °C
Weight	0.029 Kg

Dimensions



Constructions



Component Parts

No.	Description	Material	Note
①	Body A	Zinc alloy	
②	Handle	Brass	Electroless nickel plated
③	Body B	Brass	Electroless nickel plated
④	Needle	Brass	Electroless nickel plated
⑥	Seat ring		Electroless nickel plated ⁽¹⁾
⑦	Lock nut	Steel	Zinc chromated ⁽²⁾
⑧	U-seal	HNBR	
⑨	O ring	NBR	
⑩	O ring	NBR	
⑪	O ring	NBR	
⑫	Bush	PBT	01 to 04 type
⑬	O ring	NBR	01 to 04 type

Note 1) AS42□0 only: Option symbol “N” addition is electroless nickel plated.

Note 2) Meter-in type: Black zinc chromated

Additional information

Catalogue

[AS_2_0-A_EU.pdf](#)