

IZF21/31, Ionizer, Fan Type IZF31-P-B

Datasheet

General series information

- Slim design.
- Offset voltage (Ion balance): ± 5 V.
- Rapid static neutralization: 0.5 seconds.
- Flow Rate Adjustment Function.
- Filter.

Standard specifications

Model	31 (4.4 m ³ /min)
Input/Output	P (PNP, Input, Output)
Power Supply Cable, AC Adapter	w/Power Supply Cable, 3m
Bracket	B (w/Bracket)
Automatic Cleaning Unit, Louver	None
Filter	None
Maximum ambient temperature	50 °C
Minimum ambient temperature	0 °C
General power supply	24 VDC ± 10 %
Conform to the European RoHS Directive	Conform
Approvals	CE, UKCA
Material	Case: ABS/PBT/Stainless steel Emitter: Tungsten
Current consumption	130 mA
Ion generation method	Corona discharge
Method of applying voltage	DC
Applied voltage	± 5 kV
Ambient humidity	35 to 80 % RH (No condensation)
Offset voltage	± 5 V

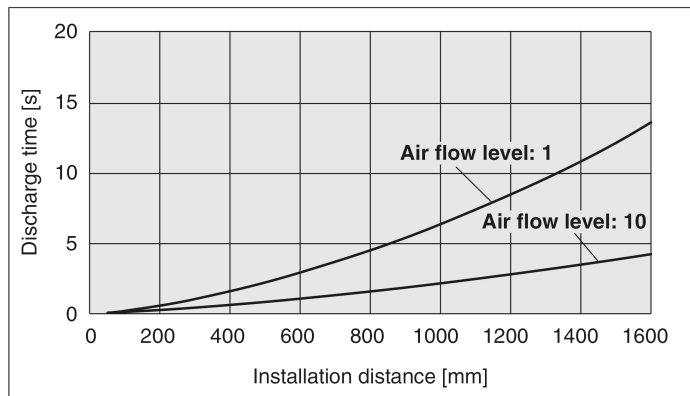
Weight

0.825 Kg

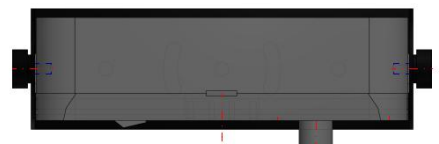
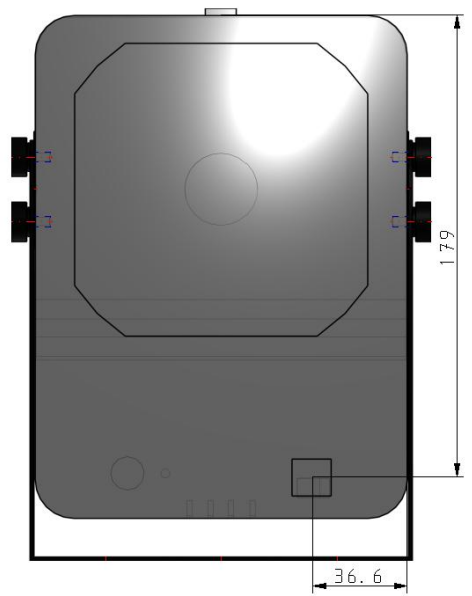
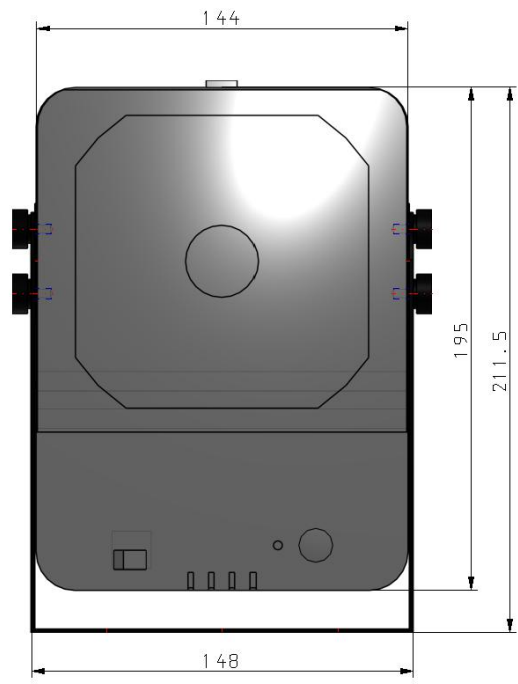
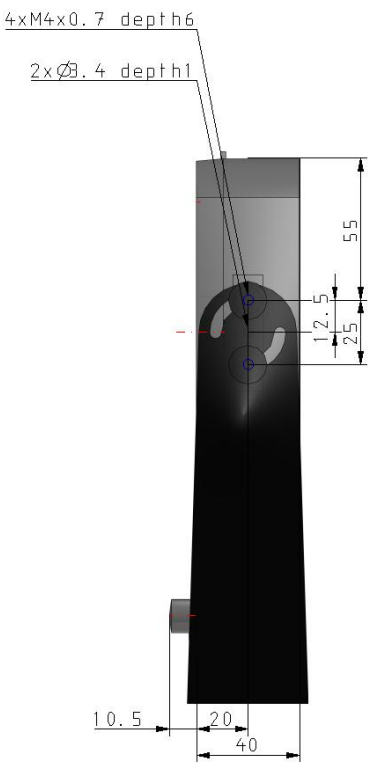
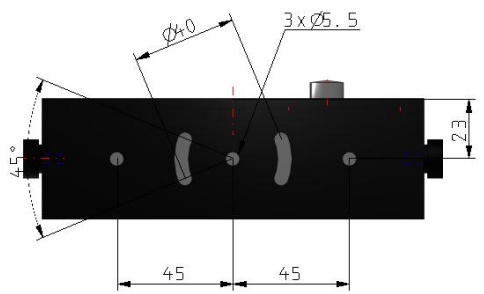
Technical information graphs

Installation distance and discharge time

IZF31



Dimensions



Specifications are subject to change without prior notice and any obligation on the part of the manufacturer.

Additional information

Catalogue	IZF-C_EU.pdf
Declaration of conformity	newDoC_IZF21-31_TF1V244EN.pdf DoC_IZF21-31_TDS0032.pdf newDoC_IZF21-31_TF122009EN.pdf newDoC_IZF-HS_TF1B245EN.pdf DoC_IZF21-31_TDS0031.pdf
Installation manuals	IM_IZF21-31_TF2Z270EN.pdf
Operation manuals	OM_IZF21-31_OMR0035EN-A.pdf