

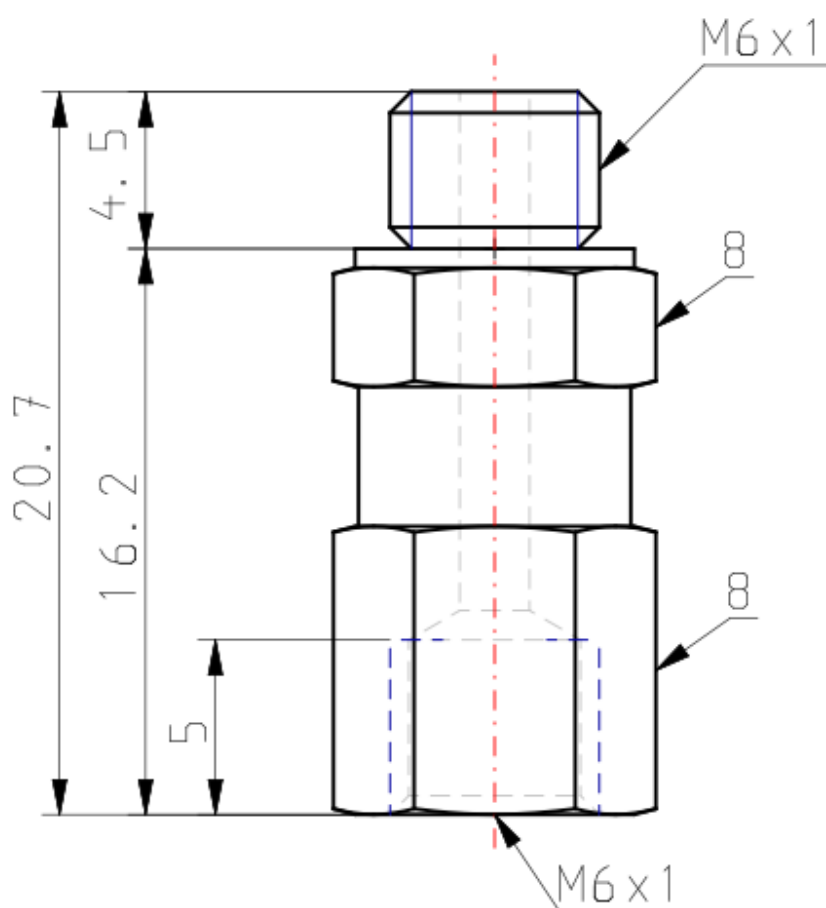
ZP2V, Vacuum Saving Valve ZP2V-B5-05

Datasheet

Machine builders using vacuum for handling or pick and place applications now have an energy saving option with our new Series ZP2V vacuum saving valve. Developed initially for the semiconductor market, these new valves are designed to shut down the suction line when any leakage is detected from the vacuum pad not being fully aligned with the work piece or even when the work piece is simply missing. By effectively stopping the air suction when the system recognizes any irregularities, the energy used in making this vacuum is kept to an absolute minimum. And, without the need for a work piece detection mechanism – which often use mechanical moving parts – those unwanted surface scratches or marks on the work piece are now a thing of the past. Ideal for use as either a stand-alone single vacuum pad or for multiple vacuum pad applications where the vacuum pressure loss is reduced to a minimum and the work piece remains held by the rest of the operating pads, ZP2V users will also save money and time by eliminating the need for expensive sensors or a programmable logic controller (PLC) plus dramatically reduced labour costs when altering the control circuit to accommodate a different shaped work piece.

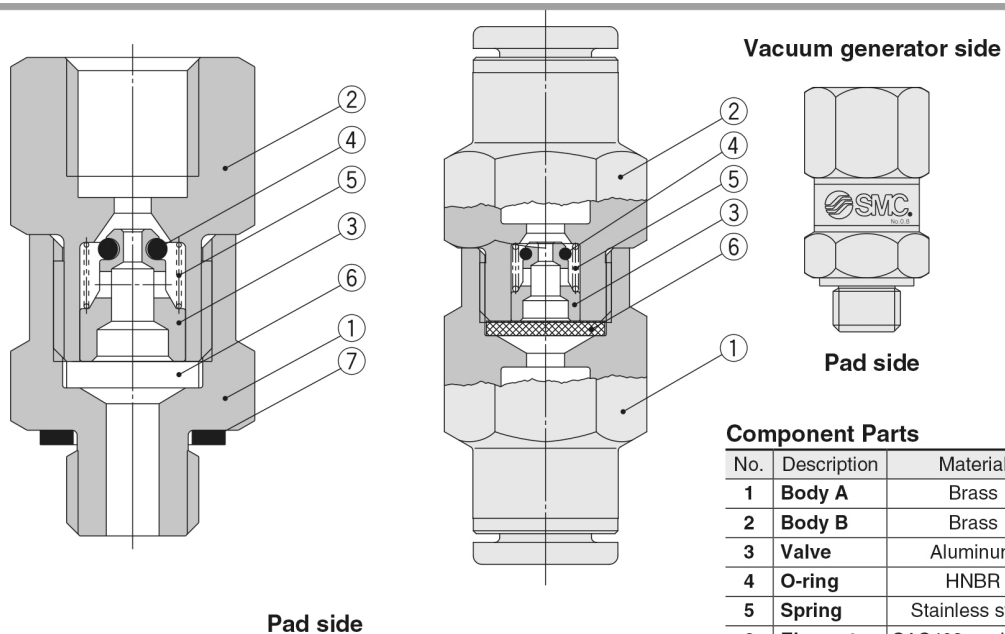
Connection thread size for the pad	B5 (M5, Female)
Orifice Size	05 (0.5 mm)
Pressure medium	Air
Maximum temperature of pressure medium	60 °C
Minimum temperature of pressure medium	5 °C (No freezing)
Maximum operating pressure	0.7 MPa
Minimum operating pressure	-100 kPa
Maximum ambient temperature	60 °C
Minimum ambient temperature	5 °C (No freezing)
Pneumatic input connection	Female M5 x 0.8
Pneumatic output connection	Male M5 x 0.8
Flow rate	96 l/min (ANR)
Element nominal filtration rating	40 µm
Weight	0.005 Kg

Dimensions



Constructions

Construction



Component Parts

No.	Description	Material	Surface treatment
1	Body A	Brass	Electroless nickel plating
2	Body B	Brass	Electroless nickel plating
3	Valve	Aluminum	—
4	O-ring	HNBR	—
5	Spring	Stainless steel	—
6	Element	CAC403 equivalent	—
7	Gasket	NBR + Stainless steel	—

Additional information

Catalogue

[ZP2V-B_EU.pdf](#)