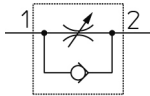


## All Metal Exterior, Elbow - ASB ASB2201-G01-06

Datasheet

### General series information

- Environments with welding spatter, dust and ultraviolet radiation
- Port Size: M5, 10-32 UNF, 1/8, 1/4, 3/8, 1/2
- Applicable Tubing O.D.: Ø 4 to Ø 12 mm and Ø 5/32" to Ø 1/2"
- Operating Pressure Range: 0.1 to 1 MPa.

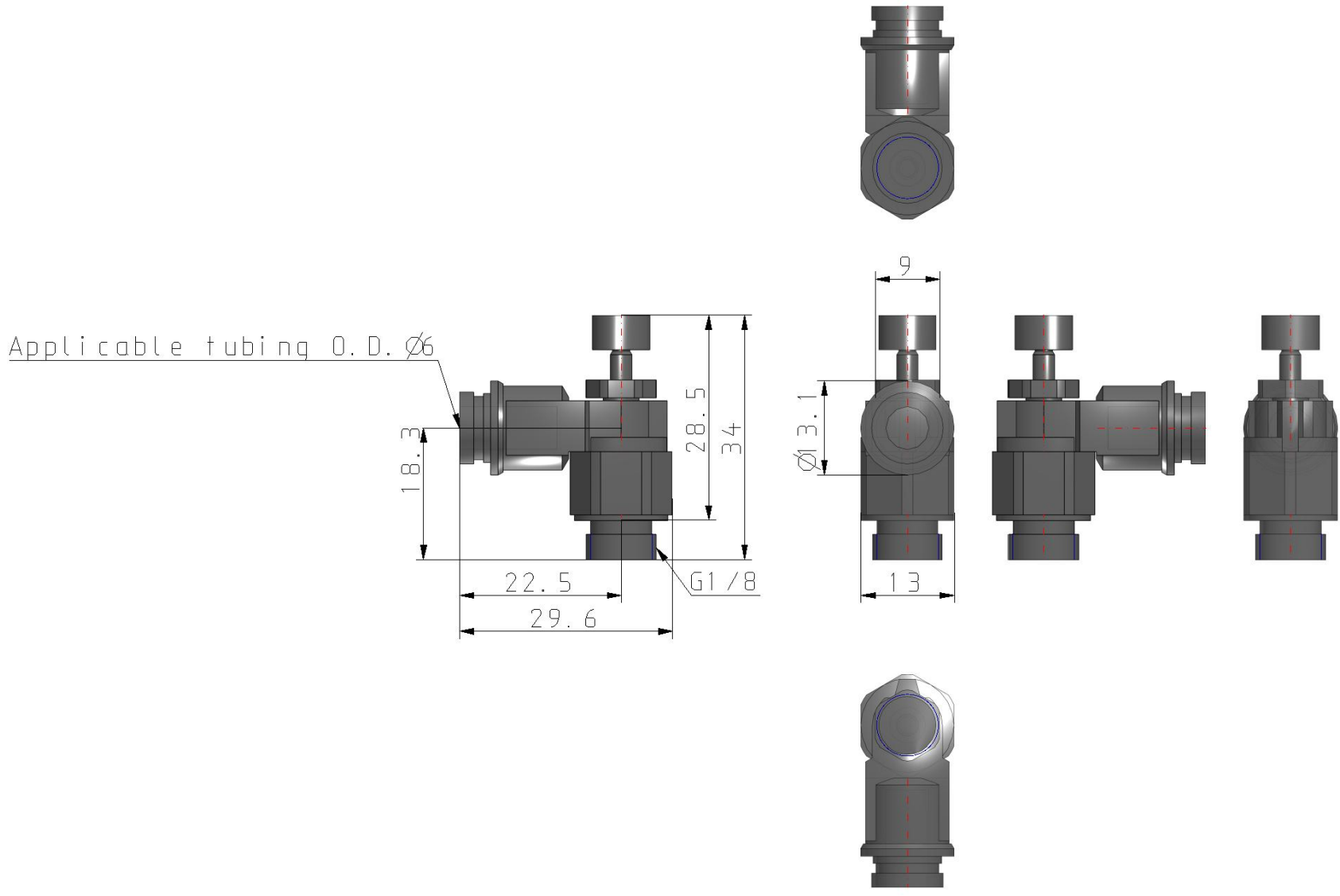


Flow control valve, adjustable, with reverse free flow

### Standard specifications

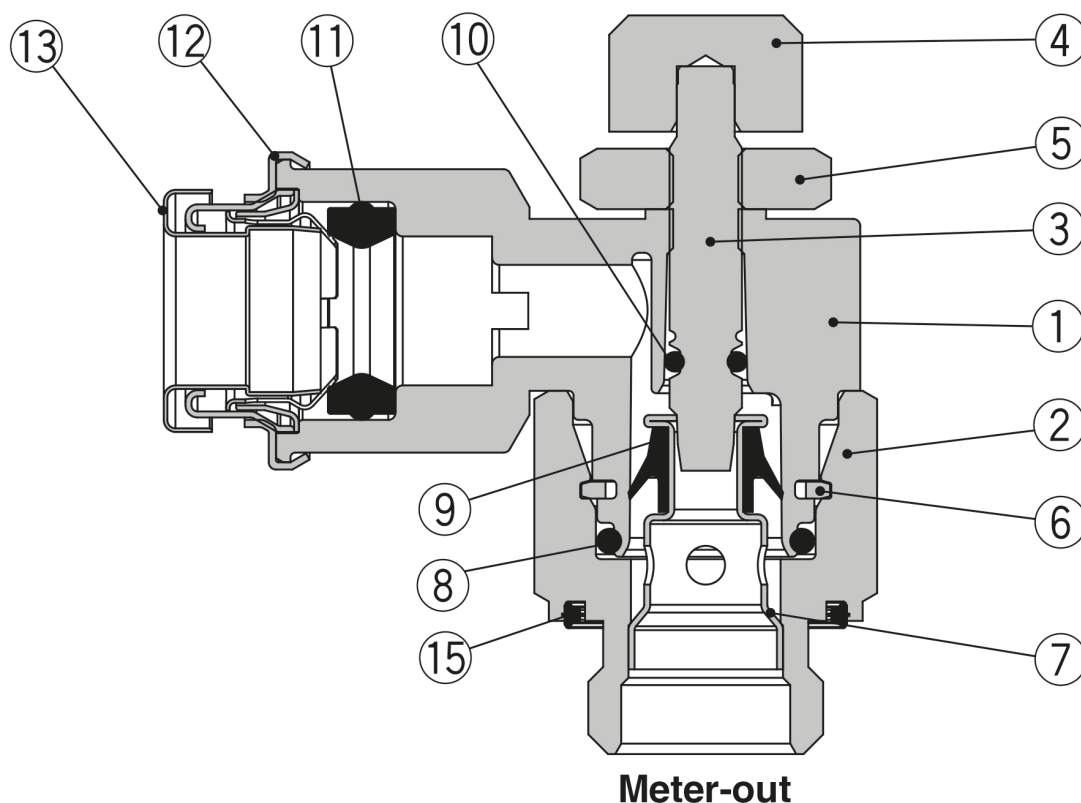
Body Size	2 (1/8, 1/4)
Control Type	0 (Meter-out)
Thread Type	G (G)
Port Size	01 (1/8)
Applicable Tubing O.D.	06 (ø6)
Seal Method	w/o Sealant
Option	Electroless Nickel Plating
Lock Nut	Hexagon Lock Nut
Pressure medium	Air
Maximum operating pressure	1 MPa
Minimum operating pressure	0.1 MPa
Proof pressure	1.5 MPa
Maximum ambient temperature	60 °C
Minimum ambient temperature	-5 °C
Applicable tubing material	FEP, PFA, Nylon, Soft nylon, Polyurethane, Polyolefin
Weight	0.024 Kg

# Dimensions



Specifications are subject to change without prior notice and any obligation on the part of the manufacturer.

## Constructions



### Component Parts

No.	Description	Material	Note	
1	<b>Body A</b>	Zinc alloy		
2	<b>Body B</b>	Brass	Electroless nickel plating*1	
3	<b>Needle</b>	Brass	Electroless nickel plating*1	
4	<b>Knob</b>	Brass	Electroless nickel plating*1	
5	<b>Lock nut</b>	Brass	Meter-out	Electroless nickel
			Meter-in	Black zinc chromate
6	<b>C-ring</b>	Stainless steel		
7	<b>Seat ring</b>	Brass	Electroless nickel plating	
8	<b>O-ring</b>	NBR		
9	<b>U-seal</b>	HNBR		
10	<b>O-ring</b>	NBR		
11	<b>Seal</b>	FKM		
12	<b>Cover</b>	Stainless steel		
13	<b>Cassette</b>	Stainless steel		
15	<b>Seal</b>	NBR	G thread type	

\*1 Option B specifies the body without electroless nickel plating.

## Additional information

Catalogue

[ASB\\_EU.pdf](#)

Operation manuals

[OM\\_ASx\\_OMZ0085EN-A.pdf](#)