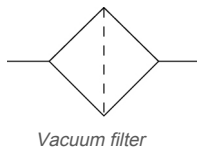


ZFC, In-line Air Filter with One-touch Fitting (NEW) ZFC54-X04

Datasheet

General series information

- Wide range of applicable tubing.
- Lock mechanism.
- Easy piping.
- Interchangeability.
- Flexible mounting orientation.
- Lightweight.
- Variety of colours for an easy visualization.



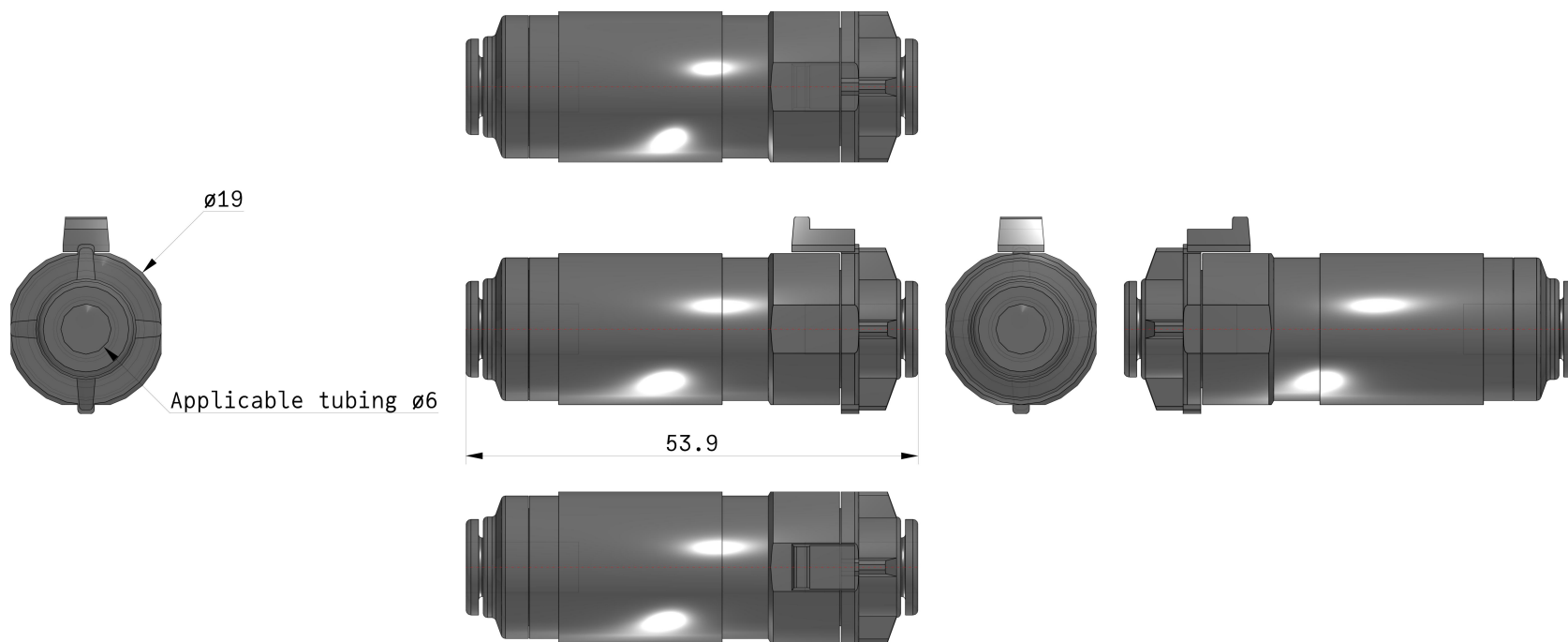
Standard specifications

Body Size	5 (20 l/min)
Applicable Tubing O.D.	4 (ø6)
Bracket	None
Made to Order	X04 (Filtration: 10 µm)
Maximum operating pressure	1 MPa
Minimum operating pressure	-100 kPa
Proof pressure	1.5 MPa
Maximum ambient temperature with magnet	60 °C
Minimum ambient temperature	0 °C; 0 °C
Conform to the European RoHS Directive	Conform
Flow rate	200 l/min
Bowl Material	Polycarbonate
Drain Capacity	10.5 cm ³
Applicable fluid	Air, Nitrogen
Maximum suction flow rate	20 l/min
Suction filter, Filtration area	750 mm ²

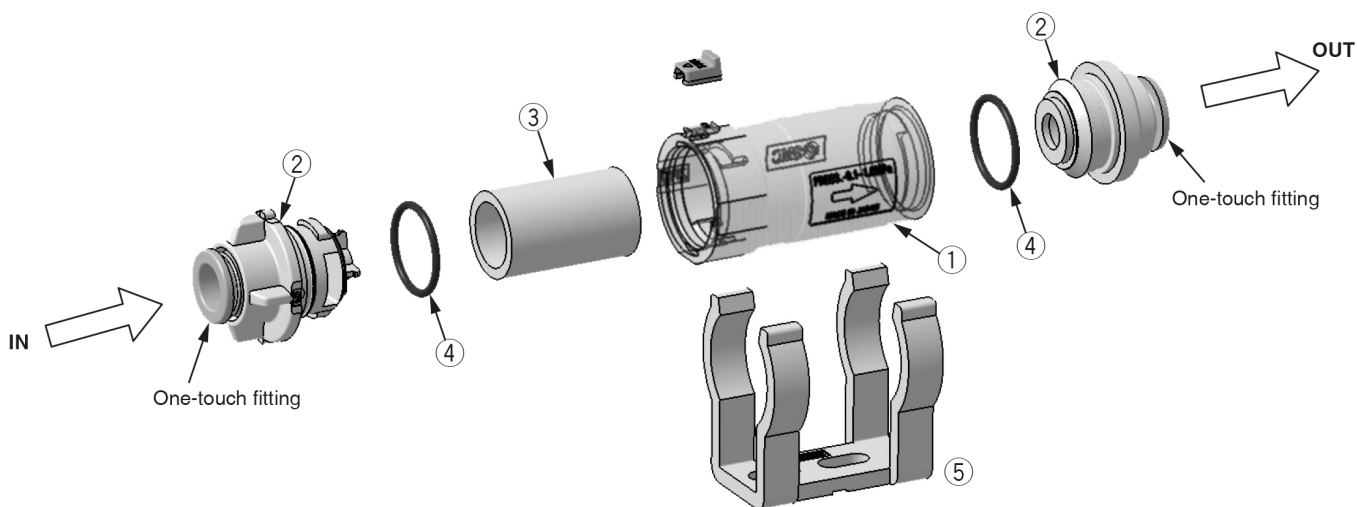
Applicable tubing material	Nylon, Soft nylon, Polyuerethane
Suction filter, Nominal filtration rating	5 µm
Weight	0.011 Kg

Specifications are subject to change without prior notice and any obligation on the part of the manufacturer.

Dimensions



Constructions



Component Parts

No.	Description	Material	Quantity
1	Case	PC	1
2	Cover	Resin PBT	2
3	Element	Sintered resin	1
4	O-ring	HNBR	2
5	Bracket	Resin PBT	1

Additional information

Catalogue

[ZFC-B_EU.pdf](#)