

KKA*S-*M, S-Couplers, Stainless Steel, Male Thread

KKA3S-01M

Datasheet

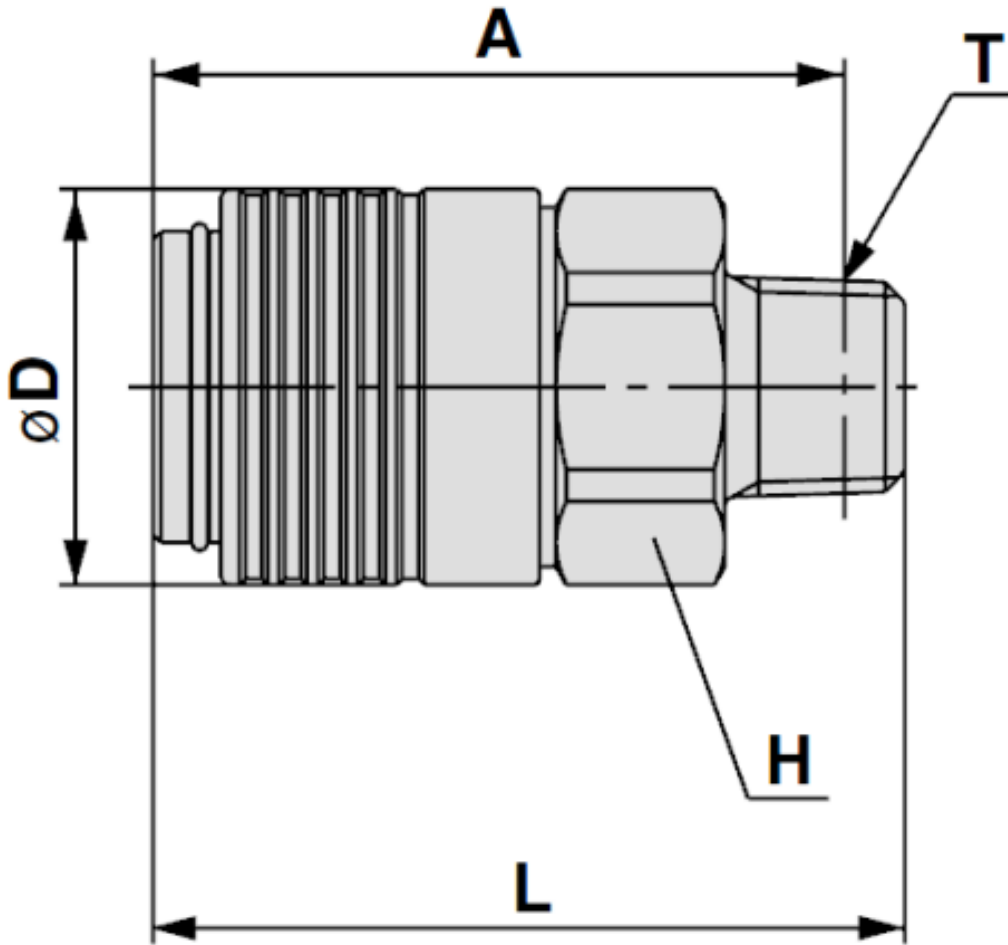
General series information

- Male thread.
- Body size: 1/8, 1/4, 1/2, 3/4, 1, 1 1/4.
- Applicable Port Size: R1/8, R1/4, R3/8, R1/2, R3/4, R1, R1 1/4, R1 1/2.

Standard specifications

Body Size	3 (1/8)
Port Size	R 1/8
Built-in Check Valve	W/Check Valve
Pressure medium	Air, Water
Maximum operating pressure	1.0 MPa
Minimum operating pressure	-100 kPa
Proof pressure	10 MPa
Maximum ambient temperature	150 °C (not be used with steam)
Minimum ambient temperature	-5 °C (with no freezing)
Effective Area	17.4 mm ²
Sealing principle	With male thread seal
Non-greased specification	No grease is used. Rubber: Fluorine coated, (Metal sliding parts: Plated with fluorine-contained material)
Material	Metal part: Stainless steel 304, Rubber material: Fluoro rubber (Special FKM)
Weight	0.050 Kg

Dimensions



Specifications are subject to change without prior notice and any obligation on the part of the manufacturer.

Additional information

Catalogue

[KK-C_EU.pdf](#)