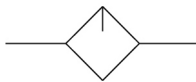


AL20-D to AL60-D, Lubricator AL50-F06-D

Datasheet

General series information

- Maximum flow rate up to 15000 l/min (ANR, 0.7MPa).

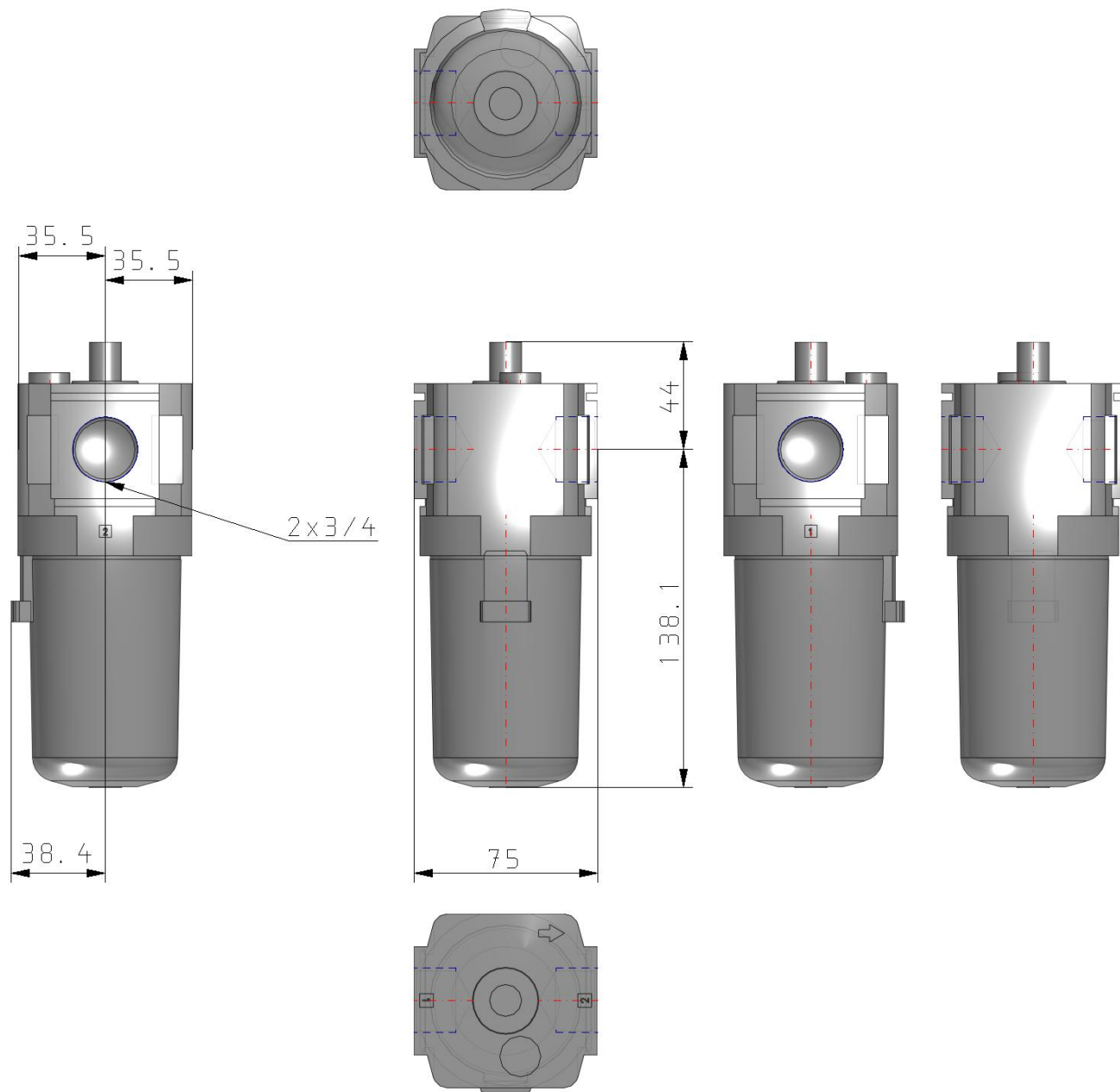


Lubricator

Standard specifications

Body Size	50
Thread	F (G)
Port Size	06 (3/4)
Mounting	w/o Mounting Option
Bowl/Lubricant exhaust port/Flow direction	Polycarbonate Bowl
Pressure Unit	MPa, °C
Pressure medium	Air
Maximum temperature of pressure medium	60 °C
Minimum temperature of pressure medium	-5 °C (with no freezing)
Maximum operating pressure	1.0 MPa
Minimum operating pressure	0.05 MPa
Proof pressure	1.5 MPa
Conform to the European RoHS Directive	Conform
Oil capacity	135 cm ³
Max. Flow rate (inlet pressure = 1.0 MPa)	17700 l/min
MIN_DRIPPING_FLOW	190 l/min
RECOMMENDED_LUBRICANT	Class 1 turbine oil (ISO VG32)
Weight	0.966 Kg

Dimensions



Additional information

Catalogue

[ACD-C_EU.pdf](#)

Operation manuals

[OM_AL20-60-D_OMX0056EN-B.pdf](#)